

E11731

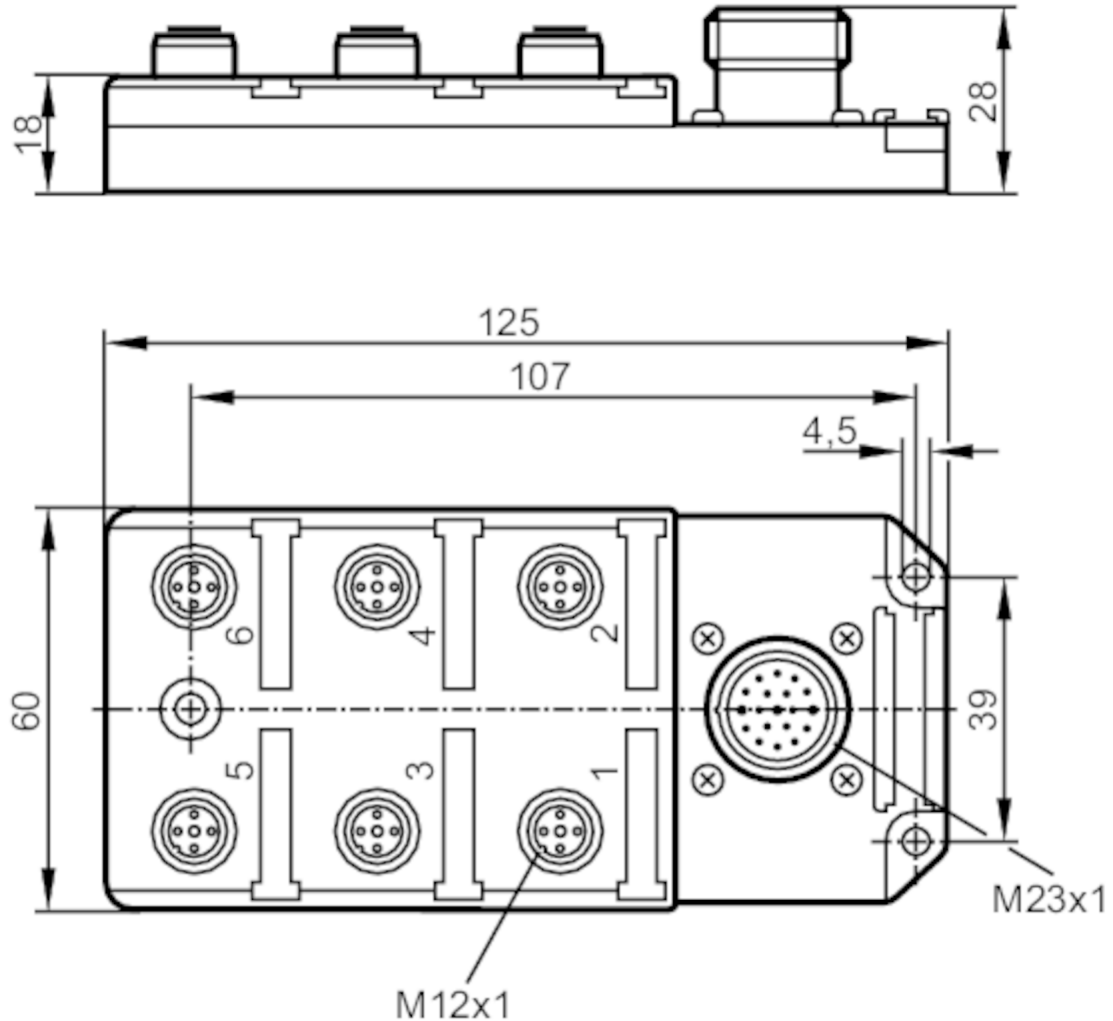


Splitter box

ZDO6H050MSS0000-00STAK190MSS

Article no longer available - archive entry

replaced by: EBC007



Application

Special feature	Free from silicone; Gold-plated contacts
Free from silicone	yes

Electrical data

Operating voltage	[V]	< 60 AC / < 75 DC
Protection class		II
Max. current load per module/slot	[A]	4
Max. current load total	[A]	10

Operating conditions

Ambient temperature	[°C]	-15...80
Protection		IP 67

E11731



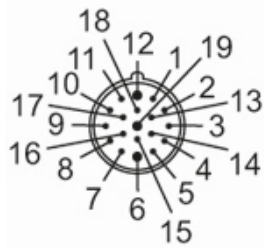
Splitter box

ZDO6H050MSS0000-00STAK190MSS

Mechanical data		
Dimensions	[mm]	28 x 60 x 125
Materials		TPU
Number of ports splitter box		6
Connector type		M12
Remarks		
Pack quantity		1 pcs.

Electrical connection - Connection

Connector: 1 x M23; Moulded body: TPU; Contacts: gold-plated; Tightening torque: 0.5 Nm



Connection

+ 19	1 (1...6)	C
- 6	3 (1...6)	C
± 12	5 (1...6)	C
15	4 (1)	C
7	2 (1)	C
5	4 (2)	C
4	2 (2)	C
16	4 (3)	C
8	2 (3)	C
3	4 (4)	C
14	2 (4)	C
17	4 (5)	C
9	2 (5)	C
2	4 (6)	C
13	2 (6)	C

Electrical connection - slot

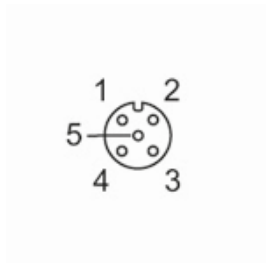
Connector: 6 x M12; Moulded body: TPU; Contacts: gold-plated; Tightening torque: 0.5 Nm

E11731



Splitter box

ZDO6H050MSS0000-00STAK190MSS



Article no longer available - archive entry

replaced by: EBC007