

E11717

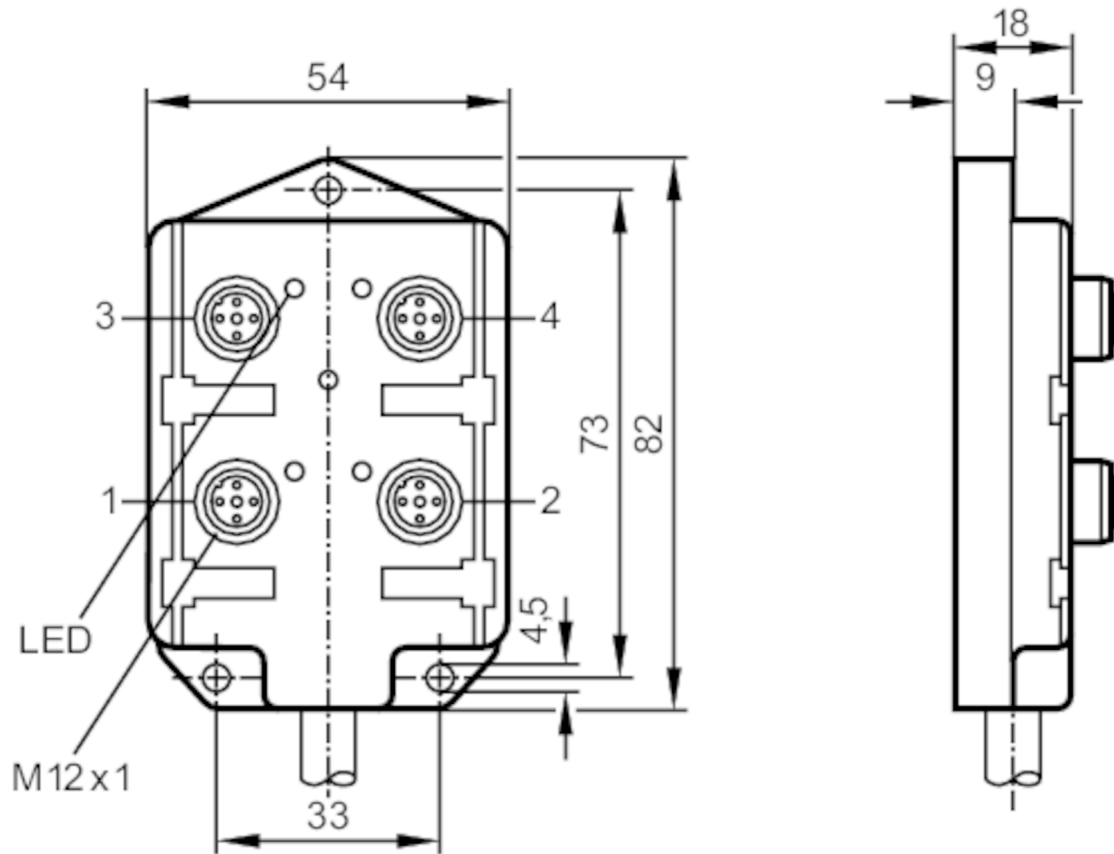


Splitter box

ZDO4H050MSS0005H07

Article no longer available - archive entry

replaced by: EBC013



Application	
Special feature	Free from silicone; Halogen-free; Gold-plated contacts
Free from silicone	yes
Electrical data	
Operating voltage [V]	< 60 AC / < 75 DC
Protection class	II
Max. current load per module/slot [A]	4
Max. current load total [A]	12
Operating conditions	
Ambient temperature [°C]	-15...80
Protection	IP 67
Mechanical data	
Dimensions [mm]	18 x 54 x 82
Materials	TPU
Number of ports splitter box	4
Connector type	M12

E11717



Splitter box

ZDO4H050MSS0005H07

Remarks

Pack quantity

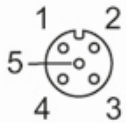
1 pcs.

Electrical connection

Cable: 5 m, PUR, Halogen-free, black, Ø 8.4 mm; 4 x 0.34 mm² (43 x Ø 0.1 mm) + 3 x 0.75 mm² (95 x Ø 0.1 mm)

Electrical connection - slot

Connector: 4 x M12; Moulded body: TPU; Contacts: gold-plated; Tightening torque: 0.5 Nm



Connection

<u>BN</u>	<u>1 (1...4)</u>	<u>C</u>
<u>BU</u>	<u>3 (1...4)</u>	<u>C</u>
<u>GN/YE</u>	<u>5 (1...4)</u>	<u>C</u>
<u>WH</u>	<u>4 (1)</u>	<u>C</u>
<u>GN</u>	<u>4 (2)</u>	<u>C</u>
<u>YE</u>	<u>4 (3)</u>	<u>C</u>
<u>GY</u>	<u>4 (4)</u>	<u>C</u>

Core colours :

BN =	brown
BU =	blue
GN =	green
GY =	grey
WH =	white
YE =	yellow

Article no longer available - archive entry

E11717

Splitter box

ZDO4H050MSS0005H07



replaced by: EBC013