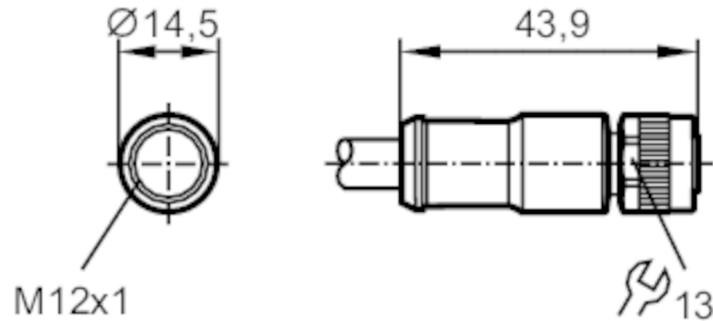


E11596



Connecting cable with socket

ADOGH050MSA0002C02



Application

Special feature	Halogen-free; Gold-plated contacts; Screened cable; Drag chain suitability
Application	CAN bus

Electrical data

Operating voltage	[V]	< 30 AC / < 36 DC
Max. current load total	[A]	4

Operating conditions

Ambient temperature	[°C]	-20...80
Storage temperature	[°C]	-40...80
Protection		IP 68

Mechanical data

Weight	[g]	163
Dimensions	[mm]	14.5 x 14.5 x 43.9
Materials		PUR
Moulded-body material		PUR
Material nut		brass, nickel-plated
Drag chain suitability		yes
Drag chain suitability	bending radius for flexible use	min. 10 x cable diameter
	bending radius for fixed installation	min. 5 x cable diameter
	travel speed	max. 3.3 m/s for a horizontal travel length of 5 m and max. acceleration of 5 m/s ²
	bending cycles	> 1 Mio.

Remarks

Pack quantity	1 pcs.
---------------	--------

E11596



Connecting cable with socket

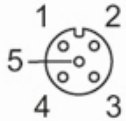
ADOGH050MSA0002C02

Electrical connection

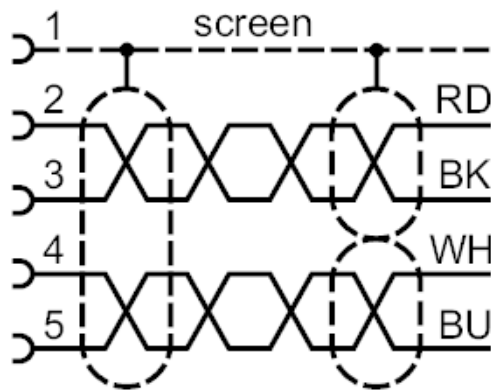
Cable: 2 m, PUR, Halogen-free, lilac, \varnothing 6.8 mm, shielded; RD / BK: 2 x 0.25 mm² (19 x \varnothing 0.13 mm) + WH / BU: 2 x 0.34 mm² (19 x \varnothing 0.16 mm) + screen: 1 x 0.34 mm² (19 x \varnothing 0.16 mm)

Electrical connection - socket

Connector: 1 x M12, straight; Moulded body: PUR; Locking: brass, nickel-plated; Contacts: gold-plated



Connection



Core colours :

BK =	black
BU =	blue
RD =	red
WH =	white
screen =	screen