

E11562



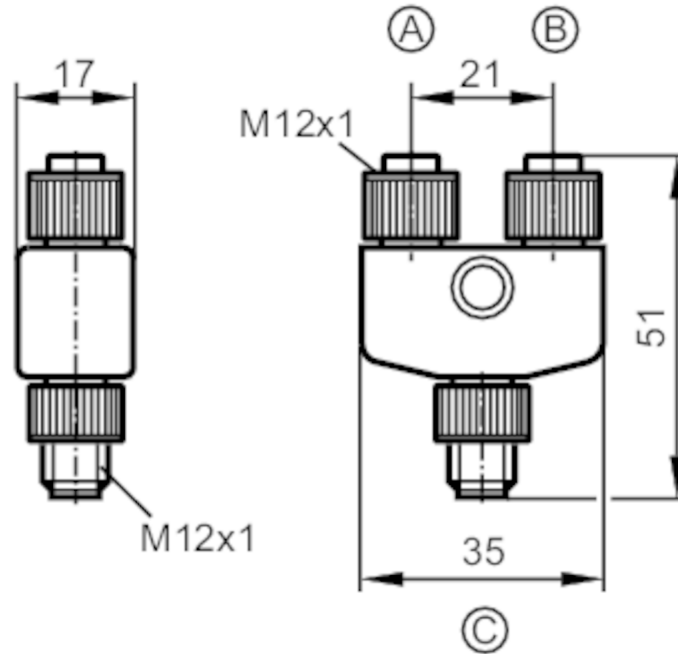
Y-splitter

T SPLITTER M12/2XUS

Article no longer available - archive entry

Alternative articles: EBC113

When selecting an alternative article and accessories please note that technical data may differ!



Electrical data

Operating voltage	[V]	< 30 AC / < 36 DC
Max. current load per module/slot	[A]	4
Max. current load total	[A]	4

Operating conditions

Ambient temperature	[°C]	-25...90
Protection		IP 68

Mechanical data

Weight	[g]	34.8
Materials		PUR

Remarks

Pack quantity		1 pcs.
---------------	--	--------

E11562



Y-splitter

T SPLITTER M12/2XUS

Electrical connection

Connection

