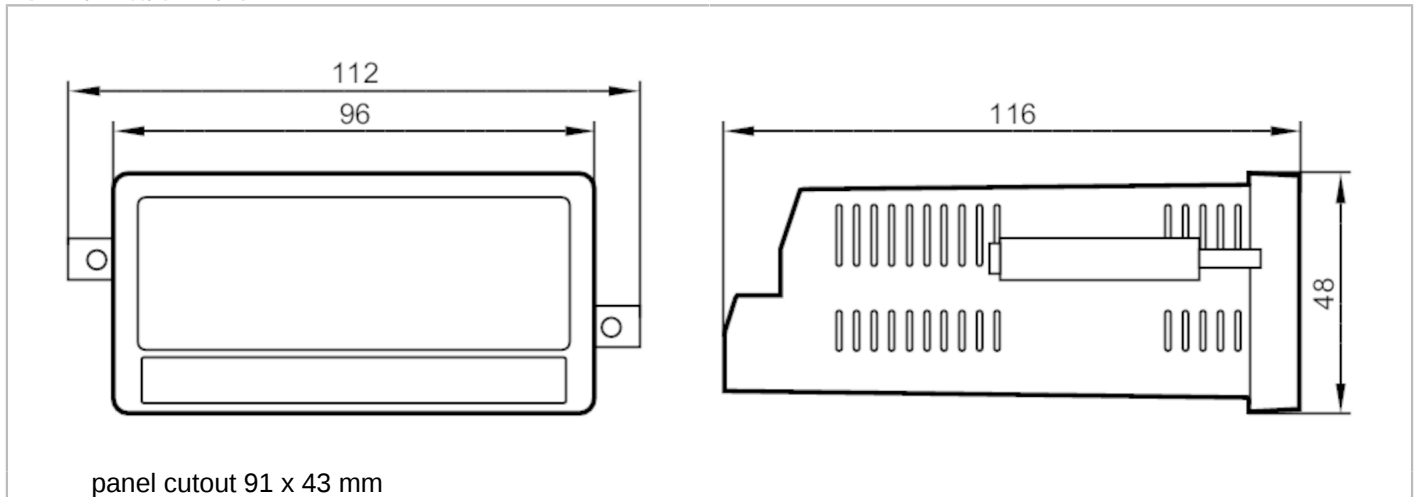


DX2055



Multifunction display for monitoring analogue standard signals

DISPLAY/AX460/IO-Link/DC



Product characteristics	
Communication interface	IO-Link
Dimensions [mm]	48 x 112 x 116
Application	
Application	displaying and monitoring analogue signals; e.g. pressure sensors, temperature sensors or flow sensors
Electrical data	
Operating voltage [V]	18...30 DC
Current consumption [mA]	100
Inputs / outputs	
Number of inputs and outputs	Number of analogue inputs: 2
Inputs	
Number of analogue inputs	2
Outputs	
Max. current load per output [mA]	200
Overload protection	yes
Interfaces	
Communication interface	IO-Link
Transmission type	COM3 (230,4 kBaud)
IO-Link revision	1.1
Required master port type	A
Min. process cycle time [ms]	3
Operating conditions	
Ambient temperature [°C]	-20...60
Storage temperature [°C]	-25...70
Protection	IP 65
Protection rating terminals	IP 20

DX2055



Multifunction display for monitoring analogue standard signals

DISPLAY/AX460/IO-Link/DC

Tests / approvals

EMC	EN 61000-6-2	
	EN 61000-6-3	
	EN 61000-6-4	

Mechanical data

Weight	[g]	318
Type of mounting		panel cutout: 91 x 43 mm
Dimensions	[mm]	48 x 112 x 116
Materials		Noryl UL94-V-0

Displays / operating elements

Display	colour display	full graphic LCD display, touch screen
---------	----------------	----------------------------------------

Electrical connection

screw terminals:

Connection

