

# AC2034

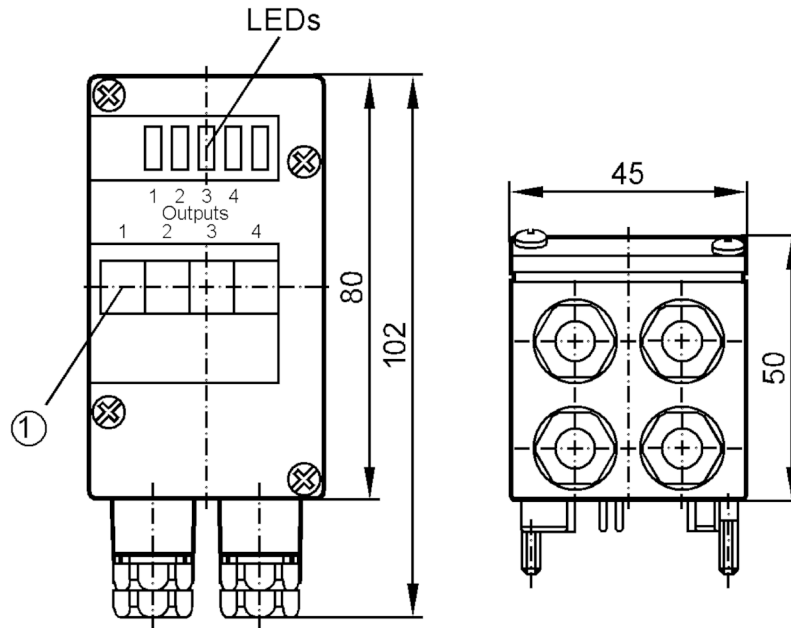


## AS-Interface universal module

EEMS/Module/4DO/T/CCT

Article no longer available - archive entry

Alternative article: AC2035 When selecting an alternative article and accessories please note that technical data may differ! – When selecting an alternative article and accessories please note that technical data may differ!



1 panel for labelling



### Electrical data

Operating voltage	[V]	26.5...31.6 DC
Current consumption	[mA]	< 60
Max. current load total	[A]	4
Integrated watchdog		yes

### Inputs / outputs

Number of inputs and outputs	Number of digital outputs: 4
------------------------------	------------------------------

### Outputs

Electrical design	AS-i
Number of digital outputs	4
Circuit	PNP
Voltage range DC	[V] 24; (to PELV)
Max. current load per output	[mA] 1000
Short-circuit proof	yes
Electrically separated	yes

### Operating conditions

Ambient temperature	[°C] -25...60
Protection	IP 65

### Tests / approvals

EMC	EN 50295
-----	----------



## AS-Interface universal module

EEMS/Module/4DO/T/CCT

AS-i classification						
AS-i profile	S-8.0					
AS-i I/O configuration [hex]	8					
AS-i ID code [hex]	0					
AS-i certificate pending	yes					
Assignment of the data bits	data bit	D0	D1	D2	D3	
	Designation	O-1	O-2	O-3	O-4	
Assignment of the parameter bits	parameter bit	function				
	P0	watchdog for all outputs	:	activated	* /	deactivated
	P1	not used				
	P2	not used				
	P3	not used				
Mechanical data						
Type of mounting	AS-i interface to FC-E or SC lower parts					
Materials	PA 6-GF30; stainless steel (1.4305 / 303)					
Displays / operating elements						
Display	operation			LED, green		
	function			LED, yellow		
Remarks						
Pack quantity	1 pcs.					
Electrical connection						
cage clamps:						
contact pins to module lower part, FK-E / PG:						

Article no longer available - archive entry

Alternative article: AC2035 When selecting an alternative article and accessories please note that technical data may differ! – When selecting an alternative article and accessories please note that technical data may differ!