

# AC2515

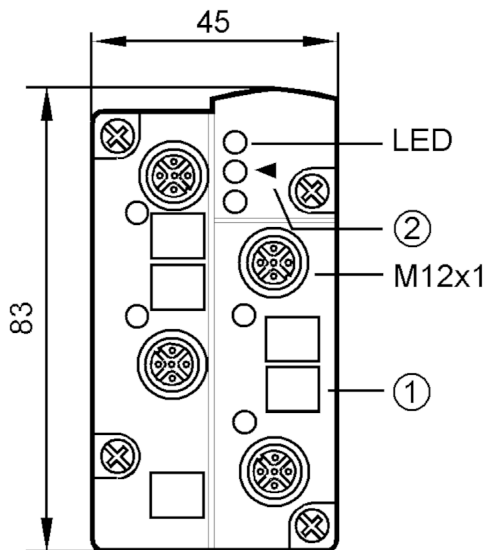


## AS-Interface ClassicLine module

ClassicLine 4DI M12

Article no longer available - archive entry

Alternative article: AC5215 When selecting an alternative article and accessories please note that technical data may differ! – When selecting an alternative article and accessories please note that technical data may differ!



- 1 panel for labelling
- 2 fixture infrared adapter



Electrical data	
Operating voltage [V]	26.5...31.6 DC
Max. current consumption from AS-i [mA]	150
Inputs / outputs	
Number of inputs and outputs	Number of digital inputs: 4
Inputs	
Number of digital inputs	4
Input circuit of digital inputs	PNP
Sensor supply of the inputs	AS-i
Voltage supply [V]	18...30; (via flat cable)
Max. total current rating of inputs [mA]	100
Input current High [mA]	6...10
Input current Low [mA]	0...2
Min. switching level high signal [V]	11
Digital inputs protected against short circuits	yes



## AS-Interface ClassicLine module

ClassicLine 4DI M12

Outputs					
Electrical design	AS-i				
Operating conditions					
Ambient temperature	[°C]	-25...70			
Protection	IP 67				
Tests / approvals					
EMC	EN 50295				
MTTF	[years]	410			
AS-i classification					
AS-i version	2.1				
AS-i addressing	IR addressing possible				
Extended addressing mode possible	yes				
AS-i profile	S-0.A.E				
AS-i I/O configuration	[hex]	0			
AS-i ID code	[hex]	A.E			
AS-i certificate pending	yes				
Assignment of the data bits	data bit	D0	D1	D2	D3
	input	1	2	3	4
	socket	I-1/2	I-1/2 I-2	I-3/4	I-3/4 I-4
	pin	4	2 4	4	2 4
Mechanical data					
Weight	[g]	111.8			
Type of mounting	AS-i interface to FC lower parts				
Materials	PBT				
Displays / operating elements					
Display	operation				LED, green
	errors				LED, red
	function				LED, yellow
Accessories					
Accessories (optional)	Module lower part				
Remarks					
Remarks	Do not connect any of the following points to an external potential: I-, I+, I-1/2, I-2, I-3/4, I-4				
Notes	The connections are electrically connected with the AS-i cable.				
Pack quantity	discontinued article				
	1 pcs.				

# AC2515



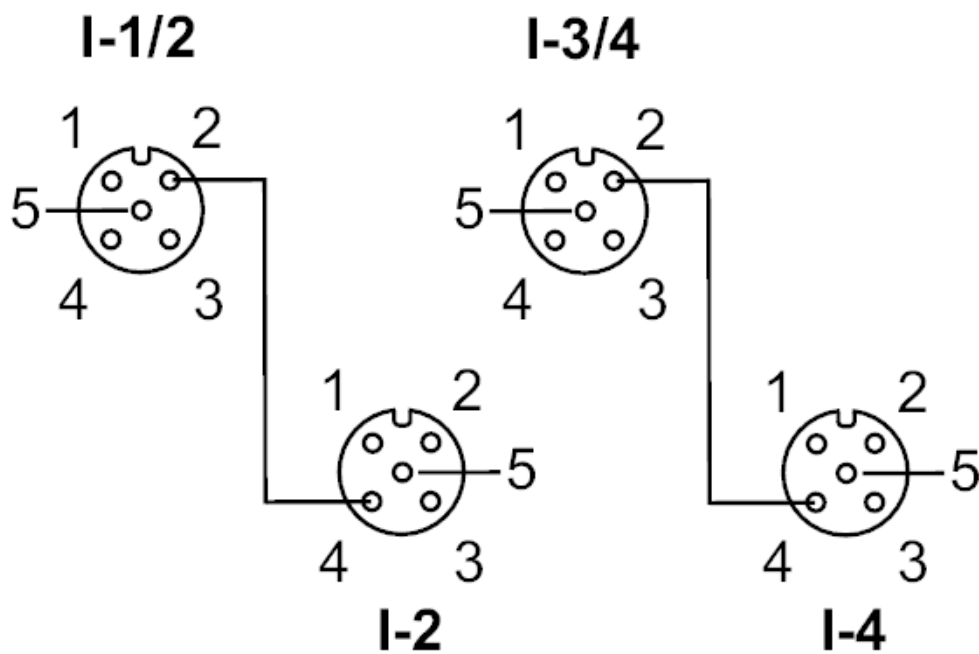
## AS-Interface ClassicLine module

ClassicLine 4DI M12

### Electrical connection

contact pins to module lower part, FK / PG:

### Connection





## AS-Interface ClassicLine module

ClassicLine 4DI M12

	Inputs
	socket I-1/2
1	Sensor supply L+
2	data input 2
3	Sensor supply L-
4	data input 1
5	not used
	socket I-2
1	Sensor supply L+
2	not used
3	Sensor supply L-
4	data input 2
5	not used
	socket I-3/4
1	Sensor supply L+
2	data input 4
3	Sensor supply L-
4	data input 3
5	not used
	socket I-4
1	Sensor supply L+
2	not used
3	Sensor supply L-
4	data input 4
5	not used

Connector: M12

Article no longer available - archive entry

Alternative article: AC5215 When selecting an alternative article and accessories please note that technical data may differ! – When selecting an alternative article and accessories please note that technical data may differ!