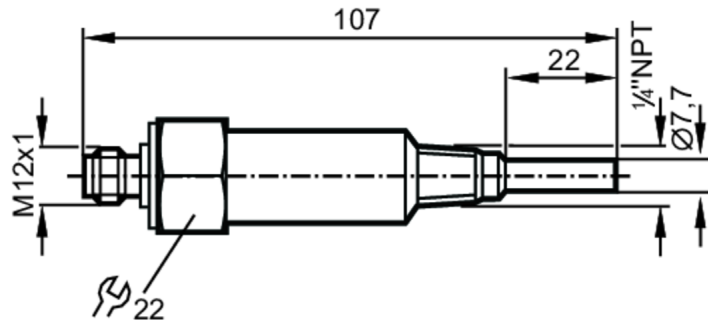


SC0516



Flow monitor

SCN14HBBAKOA



1 Tightening torque < 50 Nm with stainless steel adapter / ANSI B1.20.1



Product characteristics

Number of inputs and outputs	Number of digital outputs: 1
Process connection	threaded connection 1/4" NPT external thread

Application

Media	water
Medium temperature [°C]	-10...80; (In case of medium temperatures <4 °C the data refer to water / glycol (40% glycol).)
Pressure rating [bar]	30
Pressure rating [MPa]	3

Electrical data

Operating voltage tolerance [%]	-15...15
Operating voltage [V]	< 24 AC / 24 DC; (to SELV/PELV)
Current consumption [mA]	< 50
Protection class	III
Reverse polarity protection	no
Power-on delay time [s]	15

Inputs / outputs

Number of inputs and outputs	Number of digital outputs: 1
------------------------------	------------------------------

Outputs

Total number of outputs	1
Output signal	switching signal
Number of digital outputs	1
Output function	normally open
Max. voltage drop switching output DC [V]	0.8
Permanent current rating of switching output AC [mA]	80
Permanent current rating of switching output DC [mA]	80
Contact rating	30 V AC / 42 V DC; (according to EN 50178 SELV/PELV)
Short-circuit protection	no
Overload protection	no

SC0516



Flow monitor

SCN14HBBAKOA

Measuring/setting range		
Werkseinstellung Wert [cm/s]		20
Note on factory setting		for water (20 °C) and mounting in 2" pipe
Set point SP [cm/s]		10...60
Adjustable switch point		yes
In steps of [cm/s]		5
Response times		
Response time [s]		1...10
Software / programming		
Parameter setting options		Switch point can be set via programming wire
Operating conditions		
Ambient temperature [°C]		-20...70
Storage temperature [°C]		-40...70
Protection		IP 67
Tests / approvals		
Shock resistance	DIN IEC 68-2-27	50 g (11 ms)
Vibration resistance	DIN IEC 68-2-6	20 g (10...2000 Hz)
MTTF [years]		531
Mechanical data		
Weight [g]		140.5
Housing		cylindrical
Dimensions [mm]		Ø 22 / L = 107
Materials		stainless steel (316L/1.4404)
Materials (wetted parts)		stainless steel (316L/1.4404)
Process connection		threaded connection 1/4" NPT external thread
Probe diameter [mm]		7.7
Installation length EL [mm]		22
Electrical connection		
Required protection		miniature fuse to IEC60127-2 sheet 1; ≤ 2 A; fast acting
Remarks		
Pack quantity		1 pcs.
Electrical connection		
Connector: 1 x M12; coding: A		

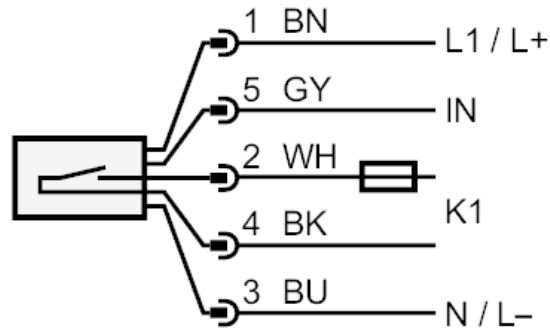
SC0516



Flow monitor

SCN14HBBAKOA

Connection



IN: programming input

K1: relay

Note miniature fuse to IEC60127-2 sheet 1 \leq 2 A fast acting

colours to DIN EN 60947-5-2

Core colours :

BK = black
BN = brown
BU = blue
GY = grey
WH = white