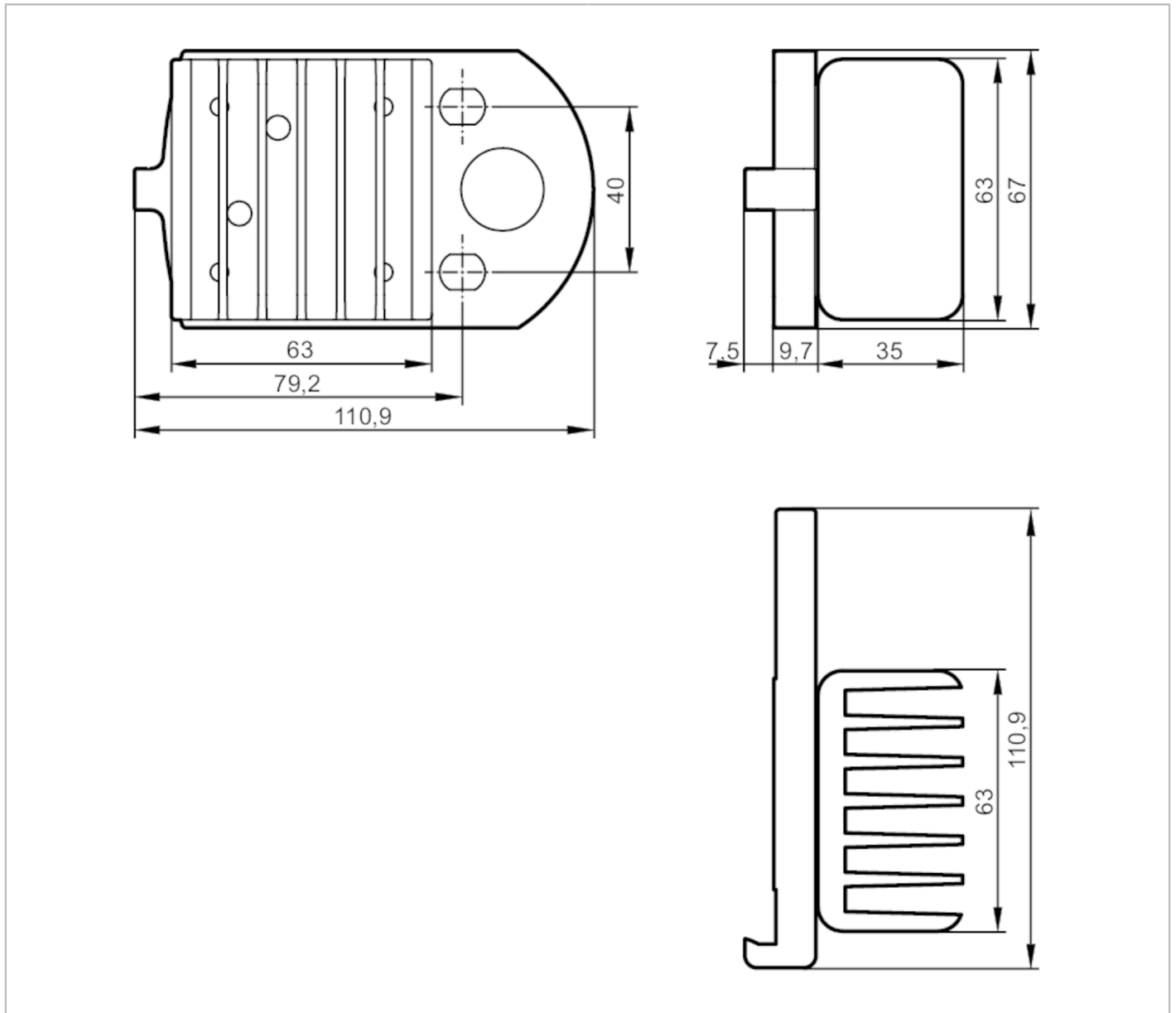


E3D302



Cooling element for 3D cameras

COOLING ELEMENT 1 SMART CAM



Mechanical data	
Weight	[g] 505.5
Type of mounting	panel / surface
Materials	dissipator: AlMgSi1MgMn; Heat conductor: AlMg3
Accessories	
Items supplied	cylinder screws: 2 x M5 x 70, ISO 4762
	cylinder screws: 2 x M5 x 75, ISO 4762
	Nuts: 2
	Clamp
	installation instructions
Remarks	
Pack quantity	1 pcs.