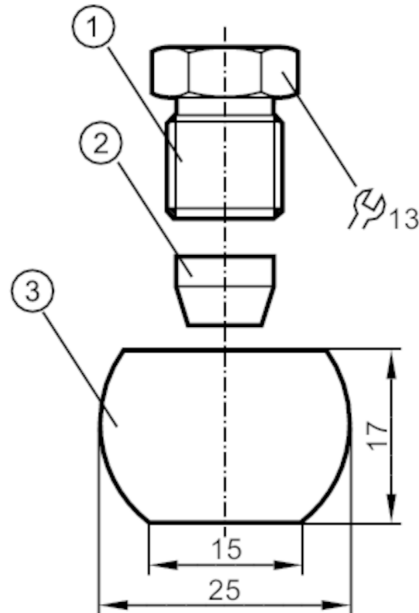


E30407



Welding adapter for process sensors

WELDING ADAPT D6 HYGIENIC



- 1 clamping screw
- 2 clamping ring
- 3 welding bush

EC 1935/2004 EHEDG Certified

Application	
Design	for temperature sensors \varnothing 6 mm
Installation	Clamp fitting
Pressure rating [bar]	10
Operating conditions	
Ambient temperature [°C]	-10...150
Tests / approvals	
Pressure Equipment Directive	A possible classification to PED depends on the application and has to be carried out by the user / operator.
Safety instructions	The compatibility between medium and product material has to be checked in all applications.
Mechanical data	
Weight [g]	56.1
Materials	stainless steel (1.4404 / 316L); clamping ring: PEEK
Tightening torque [Nm]	< 10
Sensor connection	\varnothing 6 mm
Process connection	welding adapter \varnothing 25 mm
Remarks	
Pack quantity	1 pcs.