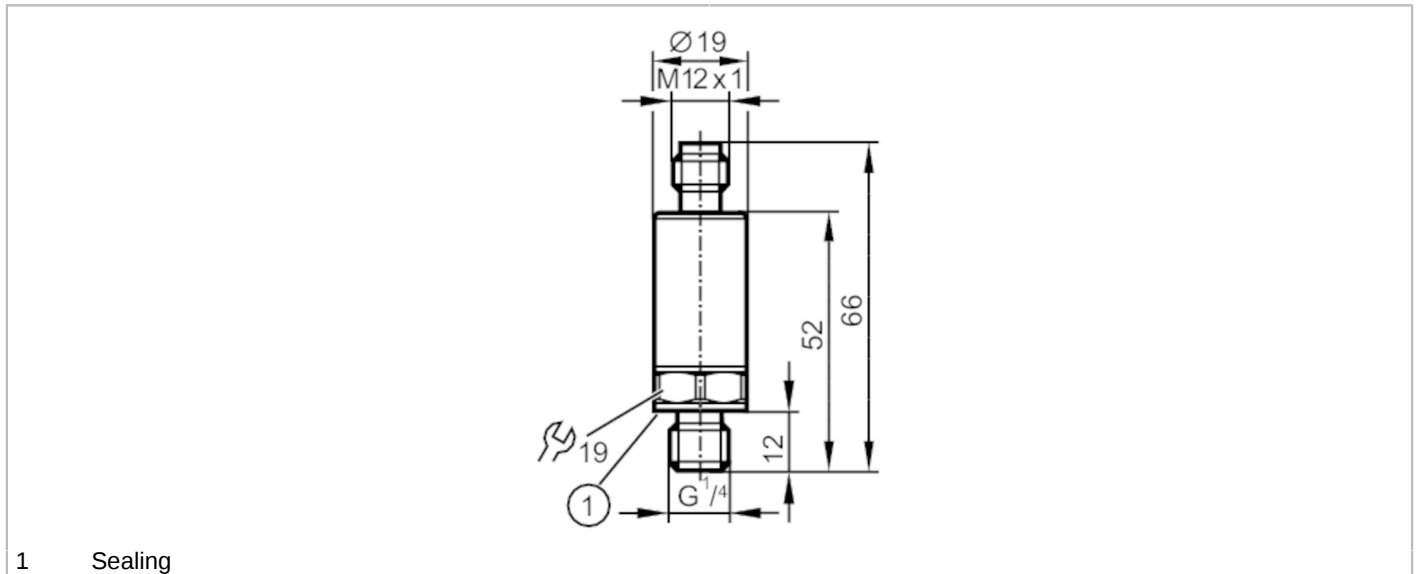


PV7003



Pressure switch with IO-Link

PV-025-SEG14-UFRVG/US/ I



1 Sealing



Product characteristics

Number of inputs and outputs	Number of digital outputs: 2		
Measuring range	-1...25 bar	-14.6...362.6 psi	-0.1...2.5 MPa
Process connection	threaded connection G 1/4 external thread (DIN EN ISO 1179-2); internal thread:M5		

Application

Measuring element	metallic thin film cell		
Application	for industrial applications		
Media	liquids and gases		
Medium temperature [°C]	-40...90		
Min. bursting pressure	600 bar	8700 psi	60 MPa
Pressure rating	65 bar	940 psi	6.5 Mpa
Note on pressure rating	static		
Vacuum resistance [mbar]	-1000		
Type of pressure	relative pressure		

Electrical data

Operating voltage [V]	18...30 DC		
Current consumption [mA]	< 15		
Min. insulation resistance [MΩ]	100; (500 V DC)		
Protection class	III		
Reverse polarity protection	yes		
Power-on delay time [s]	< 0.3		

Inputs / outputs

Number of inputs and outputs	Number of digital outputs: 2		
------------------------------	------------------------------	--	--

Outputs

Total number of outputs	2		
Output signal	switching signal; IO-Link; (configurable)		
Electrical design	PNP/NPN		

PV7003



Pressure switch with IO-Link

PV-025-SEG14-UFRVG/US/ /

Number of digital outputs	2
Output function	normally open / normally closed; (parameterisable)
Max. voltage drop switching output DC [V]	2
Permanent current rating of switching output DC [mA]	100
Switching frequency DC [Hz]	< 170
Short-circuit protection	yes
Type of short-circuit protection	pulsed
Overload protection	yes

Measuring/setting range

Measuring range	-1...25 bar	-14.6...362.6 psi	-0.1...2.5 MPa
Set point SP	-0.75...25 bar	-10.8...362.6 psi	-0.075...2.5 MPa
Reset point rP	-0.87...24.88 bar	-12.7...360.8 psi	-0.087...2488 MPa
In steps of	0.01 bar	0.1 psi	0.001 MPa
Factory setting	SP1 = 6.25 bar SP2 = 18.75 bar dS1/dS2 = 0 ms coF = 0 %	rP1 = 5.75 bar rP2 = 18.25 bar dr1/dr2 = 0 ms P-n = PnP	ou1 = Hno; ou2 = Hno; dAP= 60 ms

Accuracy / deviations

Switch point accuracy [% of the span]	< ± 0,5 (nach DIN EN 61298-2)
Repeatability [% of the span]	< ± 0,05; (with temperature fluctuations < 10 K)
Characteristics deviation [% of the span]	< ± 0,5; (linearity incl. hysteresis and repeatability, limit value setting to DIN EN IEC 62828-1)
Linearity deviation [% of the span]	< ± 0,1 (BFSL) / < ± 0,2 (LS)
Hysteresis deviation [% of the span]	< ± 0,2
Long-term stability [% of the span]	< ± 0,1; (per 6 months)
Temperature coefficient zero point [% of the span / 10 K]	< 0,1 (-25...90 °C) / < 0,2 (-40...-25 °C)
Temperature coefficient span [% of the span / 10 K]	< 0,1 (-25...90 °C) / < 0,2 (-40...-25 °C)

Response times

Response time [ms]	< 3
--------------------	-----

Software / programming

Parameter setting options	hysteresis / window; normally open / normally closed; switching logic; switch-on/switch-off delay; Damping
---------------------------	--

Interfaces

Communication interface	IO-Link
Transmission type	COM2 (38,4 kBaud)
IO-Link revision	1.1
SDCI standard	IEC 61131-9

PV7003



Pressure switch with IO-Link

PV-025-SEG14-UFRVG/US/ /

Profiles	Smart Sensor: Process Data Variable; Device Identification, Device Diagnosis	
SIO mode	yes	
Required master port type	A	
Process data analogue	2	
Process data binary	2	
Min. process cycle time [ms]	5	
Supported DeviceIDs	Type of operation	DeviceID
	Default	712

Operating conditions		
Ambient temperature [°C]	-40...90	
Storage temperature [°C]	-40...100	
Protection	IP 67; IP 69K	

Tests / approvals		
EMC	DIN EN 61326-1	
Shock resistance	DIN EN 60068-2-27	500 g (1 ms)
Vibration resistance	DIN EN 60068-2-6	20 g (10...2000 Hz)
MTTF [years]	667.77	
UL approval	UL Approval no.	J015
Pressure Equipment Directive	Sound engineering practice; can be used for group 2 fluids; group 1 fluids on request	

Mechanical data		
Weight [g]	63	
Materials	1.4542 (17-4 PH / 630); stainless steel (1.4404 / 316L); PEI	
Materials (wetted parts)	stainless steel (1.4305 / 303); 1.4542 (17-4 PH / 630)	
Min. pressure cycles	60 million; (at 1.2 times nominal pressure)	
Tightening torque [Nm]	25...35; (recommended tightening torque; depends on lubrication, seal and pressure rating)	
Process connection	threaded connection G 1/4 external thread (DIN EN ISO 1179-2); internal thread:M5	
Process connection sealing	FKM (DIN EN ISO 1179-2)	
Restrictor element integrated	yes	

Remarks		
Remarks	BFSL = Best Fit Straight Line LS = limit value setting	
Pack quantity	1 pcs.	

Electrical connection

Connector: 1 x M12; coding: A



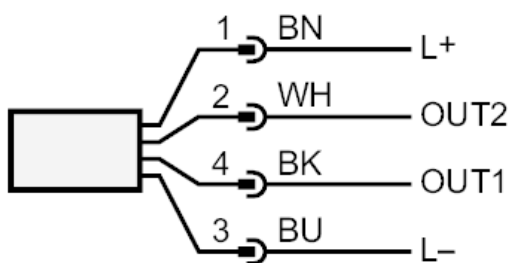
PV7003



Pressure switch with IO-Link

PV-025-SEG14-UFRVG/US/ /

Connection



OUT1 switching output
 IO-Link

OUT2 switching output
 colours to DIN EN 60947-5-2
 Core colours :

BK = black
BN = brown
BU = blue
WH = white