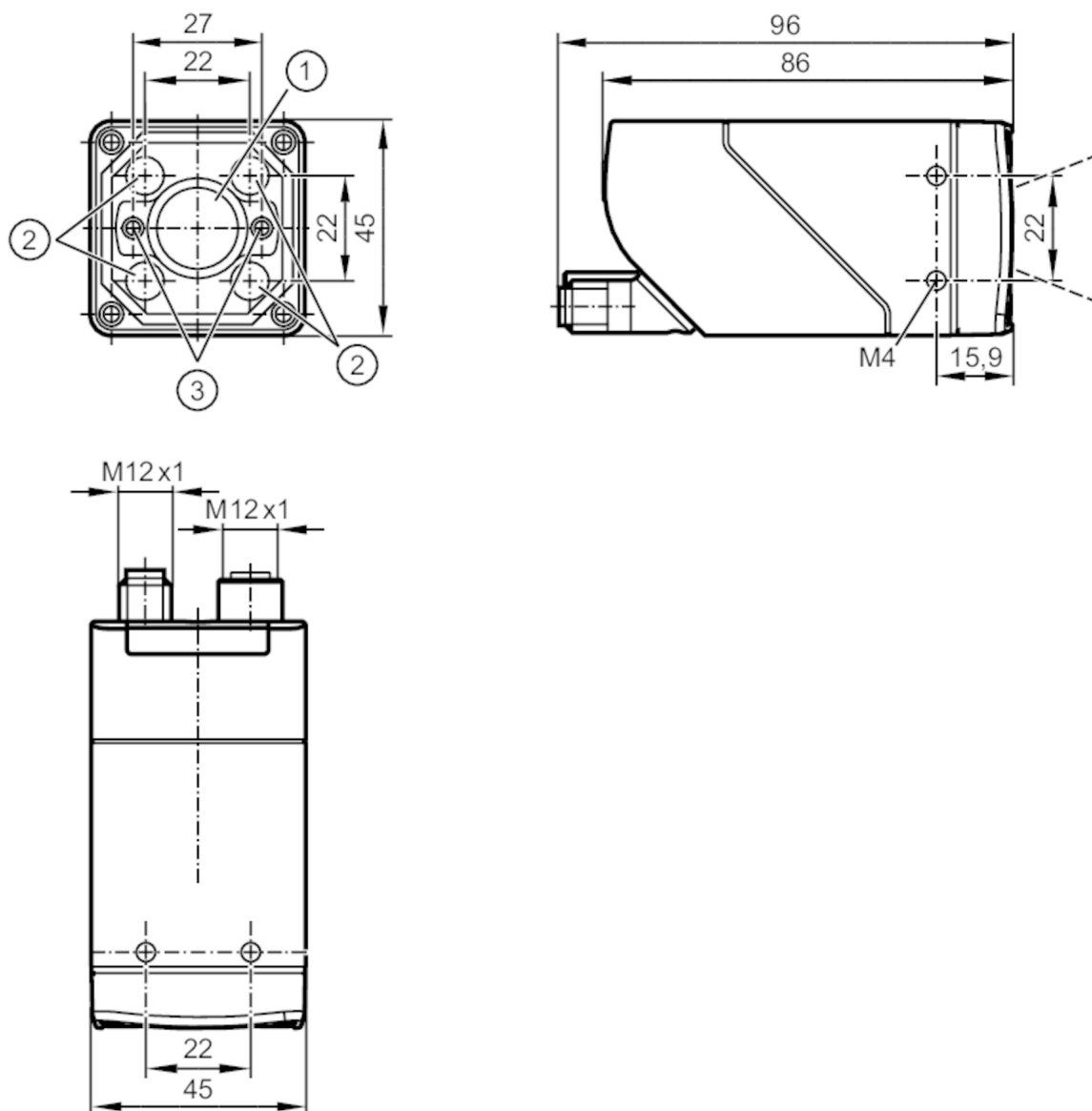


O2I514



1D/2D code readers

O2IRRDKG/E1/E4/EF/VF/TB/T



- 1 lens
- 2 illumination unit
- 3 laser spots



Product characteristics

| | | |
|-------------------|------|------------|
| Type of light | | red light |
| Image resolution | [px] | 1280 x 960 |
| Max. reading rate | [Hz] | 40 |

Application

| | | |
|-----------------|--|---------------------|
| Special feature | | polarisation filter |
|-----------------|--|---------------------|

Electrical data

| | | |
|---------------------|------|-----------------|
| Operating voltage | [V] | 18...30 DC |
| Current consumption | [mA] | < 600; (24V DC) |
| Protection class | | III |

O2I514



1D/2D code readers

O2IRRDKG/E1/E4/EF/VF/TB/T

| | | | |
|---|--|---------------|------------------|
| Reverse polarity protection | yes | | |
| Type of light | red light | | |
| Wave length [nm] | 617 | | |
| Image sensor | CMOS image sensor black/white | | |
| Inputs / outputs | | | |
| Number of inputs and outputs | Number of digital inputs: 1; Number of digital outputs: 2 | | |
| Inputs | | | |
| Trigger | external; 24 V PNP/NPN (IEC 61131-2 Typ 3); TCP/IP; PROFINET; internal | | |
| Number of digital inputs | 1 | | |
| Outputs | | | |
| Total number of outputs | 2 | | |
| Number of digital outputs | 2; (configurable) | | |
| Output function | 24 V PNP/NPN | | |
| Max. voltage drop switching output DC [V] | 1 | | |
| Max. current load per output [mA] | 100 | | |
| Short-circuit protection | yes | | |
| Type of short-circuit protection | pulsed | | |
| Overload protection | yes | | |
| Detection zone | | | |
| Field of view size [mm] | Operating distance | field of view | |
| | 200 | 38 x 29 | |
| | 300 | 58 x 43 | |
| | 500 | 96 x 72 | |
| | 1000 | 192 x 144 | |
| Operating distance [mm] | > 200 | | |
| Image resolution [px] | 1280 x 960 | | |
| Lens type | Telephoto lens | | |
| Readable codes | Interleaved 2-of-5; Industrial 2-of-5; Code 39; Code 93; Code 128; Pharmacode; Codabar; EAN8; EAN8 Add-On 2; EAN8 Add-On 5; EAN13; EAN13 Add-On 2; EAN13 Add-On 5; UPC-A; UPC-A Add-On 2; UPC-A Add-On 5; UPC-E; UPC-E Add-On 2; UPC-E Add-On 5; GS1 DataBar Omnidirectional; GS1 DataBar Truncated; GS1 DataBar Stacked; GS1 DataBar Stacked Omnidirectional; GS1 DataBar Limited; GS1 DataBar Expanded; GS1 DataBar Expanded Stacked; GS1 - 128; MSI Barcode; ECC200; PDF-417; QR; Micro-QR; Aztec Code; GS1 ECC200; GS1 QR Code; GS1 Aztec Code | | |
| Code quality based on | | | ISO / IEC 15415 |
| | | | ISO / IEC 15416 |
| | | | AIM DPM |
| | | | ISO/IEC TR 29158 |
| | | | SEMI T10 |
| Legible fonts | Industrial; Document; OCR-A; OCR-B; Pharma; Semi; Universal; Dot Print | | |
| Polarisation filter available | yes | | |
| Omnidirectional reading | yes | | |
| Max. inclination to the image plane [°] | 45 | | |
| Max. reading rate [Hz] | 40 | | |



1D/2D code readers

O2IRRDKG/E1/E4/EF/VF/TB/T

| Software / programming | | |
|-------------------------------|---|--|
| Parameter setting options | teach button; via PC with ifm Vision Assistant | |
| Interfaces | | |
| Communication interface | Ethernet | |
| Ethernet | | |
| Number of Ethernet interfaces | 1 | |
| Transmission standard | 10Base-T; 100Base-TX | |
| Transmission rate | 10 MBit/s; 100 MBit/s | |
| Protocol | TCP/IP; PROFINET | |
| Factory settings | IP address: 192.168.0.69 | |
| | subnet mask: 255.255.255.0 (Class C) | |
| | gateway IP address: 192.168.0.201 | |
| | MAC address: see type label | |
| Usage type | parameter setting; data transmission | |
| Operating conditions | | |
| Ambient temperature [°C] | -10...50 | |
| Storage temperature [°C] | -40...70 | |
| Protection | IP 65 | |
| Tests / approvals | | |
| EMC | EN 61000-6-4 radiation of interference | industrial environments |
| | EN IEC 61000-6-2 immunity | industrial environments |
| Shock resistance | EN 60068-2-27 | 50 g 11 ms / not repetitive |
| | EN 60068-2-27 | 40 g 6 ms / repetitive |
| Vibration resistance | EN 60068-2-6 | 2 g (10 ... 150 Hz) |
| Laser protection class | 1 | |
| Notes on laser protection | Caution: | laser light |
| | laser class: | 1 |
| | | EN / IEC60825-1:2007 |
| | | EN / IEC60825-1:2014 |
| Photobiological safety | Complies with 21 CFR 1040 except for deviations pursuant to Laser Notice No. 50, dated June 2007. | |
| | exempt group; (EN 62471) | |
| Electrical protection | EN 61010-2-201 | electrical supply only via PELV circuits |
| Mechanical data | | |
| Weight [g] | 602.2 | |
| Dimensions [mm] | 45 x 45 x 86 | |
| Materials | housing: diecast zinc powder-coated; front pane: Gorillaglas; LED window: PC; pushbutton: POM | |
| Sealing material | FKM | |
| Displays / operating elements | | |
| Display | function | 2 x LED, green |
| | function | 2 x LED, yellow |
| | Teach-Funktion | 1 x LED, green |
| | Teach-Funktion | 1 x LED, yellow |

O2I514



1D/2D code readers

O2IRRDKG/E1/E4/EF/VF/TB/T

| | | |
|--------------------|-----|-------------|
| Operating elements | 1 x | Teach-Taste |
|--------------------|-----|-------------|

Accessories

| | |
|------------------------|-----------------------------------|
| Accessories (optional) | Operating software |
| | Mounting accessories |
| | Adapter cable |
| | protective panes and filter panes |

Remarks

| | |
|---------------|--------|
| Pack quantity | 1 pcs. |
|---------------|--------|

Electrical connection

Electrical connection - Ethernet

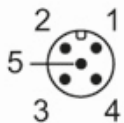
Connector: 1 x M12; coding: D; Moulded body: stainless steel; Sealing: FKM



| | |
|---|------|
| 1 | TxD+ |
| 2 | RxD+ |
| 3 | TxD- |
| 4 | RxD- |

Electrical connection - supply

Connector: 1 x M12; coding: A; Moulded body: stainless steel



| | |
|---|--|
| 1 | U+ |
| 2 | trigger input |
| 3 | 0 V |
| 4 | switching output 1 configurable |
| 5 | switching output 2 configurable / trigger output with external illumination |