

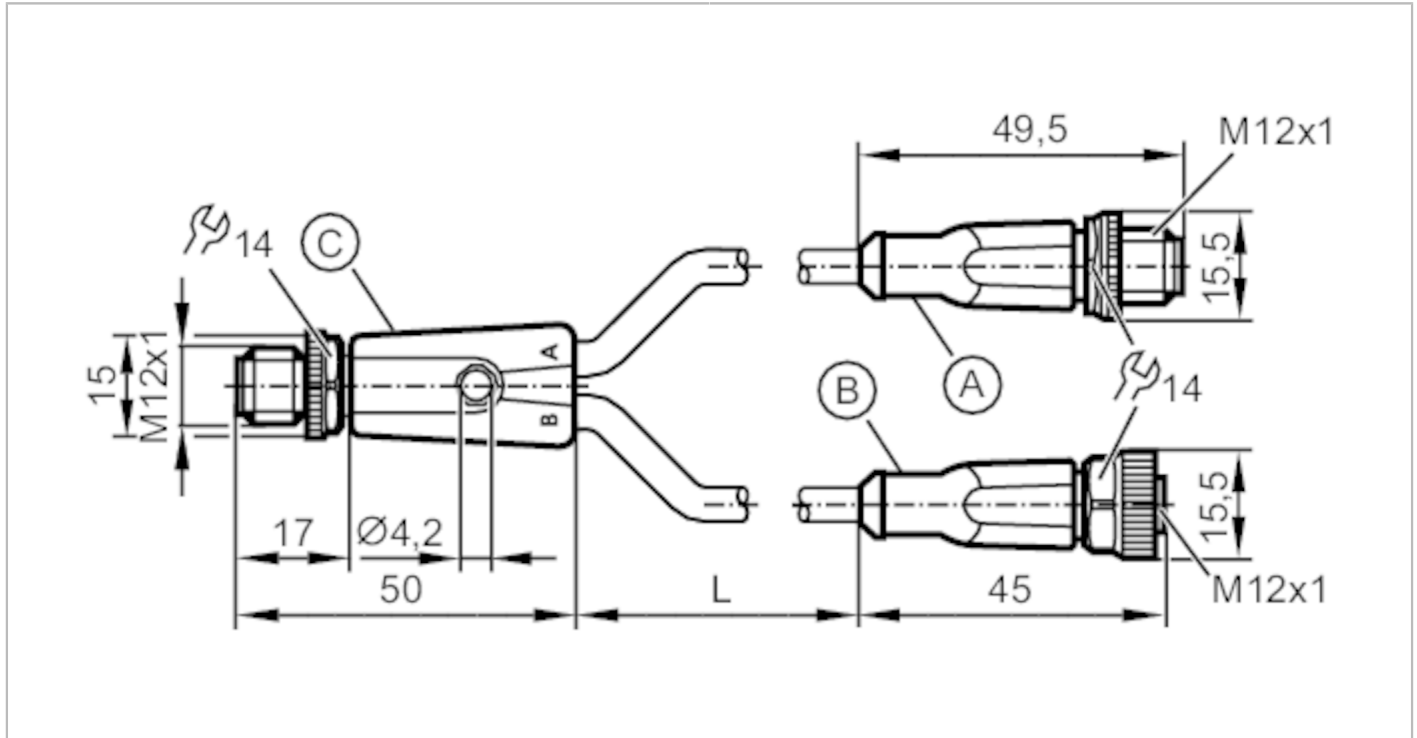
EVC854



Y connection cable

YSDGHB0MSS00,1HBDSTGH030MSS

Please see the technical note under "Downloads"



Application

Special feature	Free from silicone; Halogen-free; Gold-plated contacts; Drag chain suitability
Free from silicone	yes

Electrical data

Operating voltage	[V]	24 DC
Protection class		II
Max. current load total	[A]	3

Operating conditions

Ambient temperature	[°C]	-25...90
Protection		IP 65; IP 67; IP 68; IP 69K

Mechanical data

Weight	[g]	53
Moulded-body material		TPU / TPU
Material nut		brass, nickel-plated
Sealing material		Viton
Connector type		M12
Drag chain suitability		yes

EVC854



Y connection cable

YSDGHB0MSS00,1HBDSTGH030MSS

Drag chain suitability	bending radius for flexible use	min. 10 x cable diameter
	bending radius for fixed installation	min. 5 x cable diameter
	travel speed	max. 3.3 m/s for a horizontal travel length of 5 m and max. acceleration of 5 m/s ²
	bending cycles	> 5 Mio.
	torsional strain	± 180 °/m > 2 Mio.

Remarks

Notes	Please see the technical note under "Downloads"
Pack quantity	1 pcs.

Electrical connection - plug C

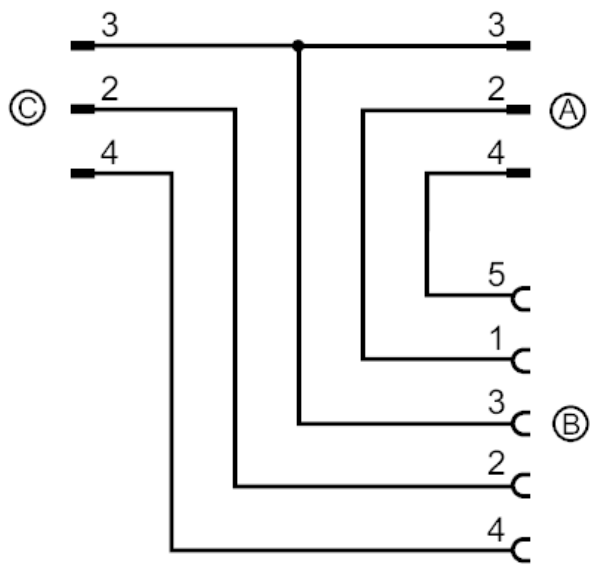
Connector: M12, straight; coding: A; Moulded body: TPU, orange; Locking: Lock nut, brass, nickel-plated; Contacts: gold-plated; Tightening torque: 0.6...1.5 Nm; Take into account the maximum value of the counterpart!



Electrical connection

Cable: 0.1 m, PUR, Halogen-free, black, Ø 4.9 mm; 3 x 0.34 mm² (42 x Ø 0.1 mm) + 5 x 0.34 mm² (42 x Ø 0.1 mm)

Connection



EVC854



Y connection cable

YSDGHB0MSS00,1HBDSTGH030MSS

Electrical connection - plug A

Connector: M12, straight; coding: A; Moulded body: TPU, orange; Locking: Lock nut, brass, nickel-plated; Sealing: Viton; Contacts: gold-plated; Tightening torque: 0.6...1.5 Nm; Take into account the maximum value of the counterpart!



Electrical connection - socket B

Connector: M12, straight; coding: A; Moulded body: TPU, orange; Locking: Lock nut, brass, nickel-plated; Contacts: gold-plated; Tightening torque: 0.6...1.5 Nm; Take into account the maximum value of the counterpart!

