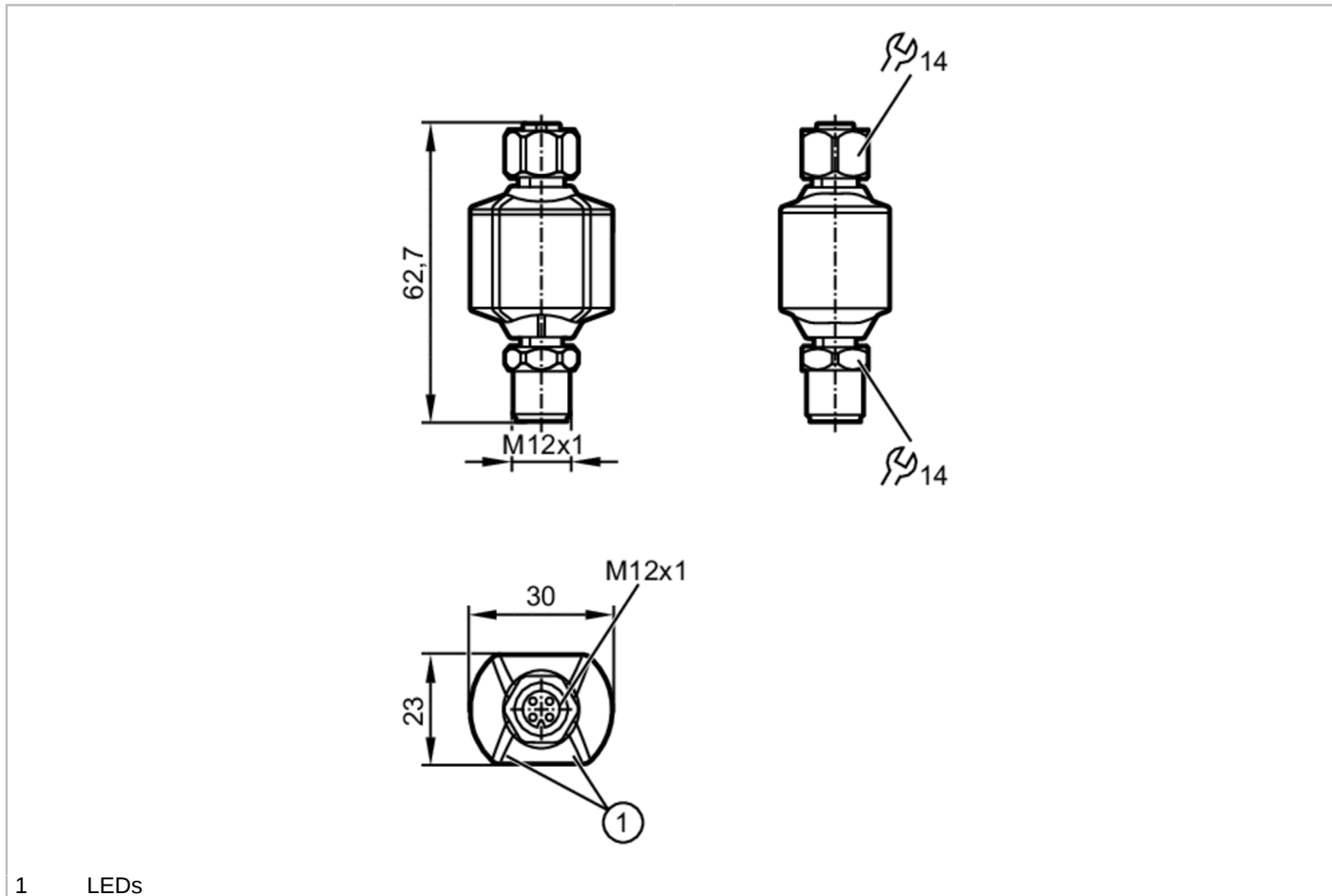


EIO344



Bluetooth mesh IO-Link adapter

BLUETOOTH MESH IO-LINK ADAPTER



1 LEDs



Product characteristics	
Number of inputs and outputs	Number of digital outputs: 1
Application	
Special feature	Gold-plated contacts
Radio approval for	EU/RED; United Kingdom; USA; Canada; Japan; Namibia; Singapore; Australia; India; Vietnam; New Zealand; Indonesia; Malaysia; Thailand; Ukraine; Taiwan; Argentina; Chile; South Korea; South Africa; Mexico
Note on radio approval	The list of countries applying the European Radio Equipment Directive 2014/53/EU (RED) can be found under "Downloads".
Electrical data	
Operating voltage [V]	18...30 DC; (limitation due to ES1 and PS2)
Nominal voltage DC [V]	24
Current consumption [mA]	< 20
Protection class	III
Reverse polarity protection	yes; (supply side)
Max. current load total [A]	0.83
Inputs / outputs	
Number of inputs and outputs	Number of digital outputs: 1



Bluetooth mesh IO-Link adapter

BLUETOOTH MESH IO-LINK ADAPTER

Outputs		
Output signal	switching signal; IO-Link	
Electrical design	PNP	
Number of digital outputs	1	
Output function	normally open / normally closed	
Max. voltage drop switching output DC [V]	2.5	
Permanent current rating of switching output DC [mA]	200	
Type of short-circuit protection	pulsed	
Short-circuit proof	yes	
Overload protection	yes	
Interfaces		
Communication interface	IO-Link; Bluetooth	
Supported DeviceIDs	Type of operation	DeviceID
	IO-Link Device	1591
Bluetooth		
Transmission standard	BLE 5.0	
Frequency band	2,4 GHz	
Transmission power [mW]	10; (10 dBm)	
Range	typ. 20 m	
IO-Link Device		
Transmission type	COM2 (38,4 kBaud)	
IO-Link revision	1.0; 1.1	
SDCI standard	IEC 61131-9	
Required master port type	A	
IO-Link Master		
Number of ports	1	
Transmission type	COM1 (4,8 kBaud); COM2 (38,4 kBaud); COM3 (230,4 kBaud)	
IO-Link revision	1.1	
SDCI standard	IEC 61131-9	
Operating conditions		
Ambient temperature [°C]	-25...60	
Storage temperature [°C]	-25...70	
Protection	IP 67; IP 69K	
Tests / approvals		
EMC	DIN EN 61000-6-2	
	DIN EN 61000-6-3	
Shock resistance	DIN EN 60068-2-27	15 g (6 ms)
Vibration resistance	DIN EN 60068-2-6	2 g (10...150 Hz)
MTTF [years]	218	
UL approval	File number UL	E537924
Mechanical data		
Weight [g]	92.2	



Bluetooth mesh IO-Link adapter

BLUETOOTH MESH IO-LINK ADAPTER

Materials	PA; stainless steel (316L/1.4404); FKM
-----------	--

Displays / operating elements

Display	operation	LED, green
	warning / fault	LED, red
	Bluetooth	LED, blue

Remarks

Pack quantity	1 pcs.
---------------	--------

Electrical connection - plug

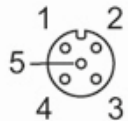
Connector: 1 x M12; coding: A; Contacts: gold-plated



1	L+ supply
2	OUT2 linked through
3	L- supply
4	OUT1 switching output or IO-Link

Electrical connection - socket

Connector: 1 x M12; coding: A; Contacts: gold-plated



1	L+ supply
2	OUT2 linked through
3	L- supply
4	IO-Link
5	not used

EIO344



Bluetooth mesh IO-Link adapter

BLUETOOTH MESH IO-LINK ADAPTER

Electrical connection

Connection

