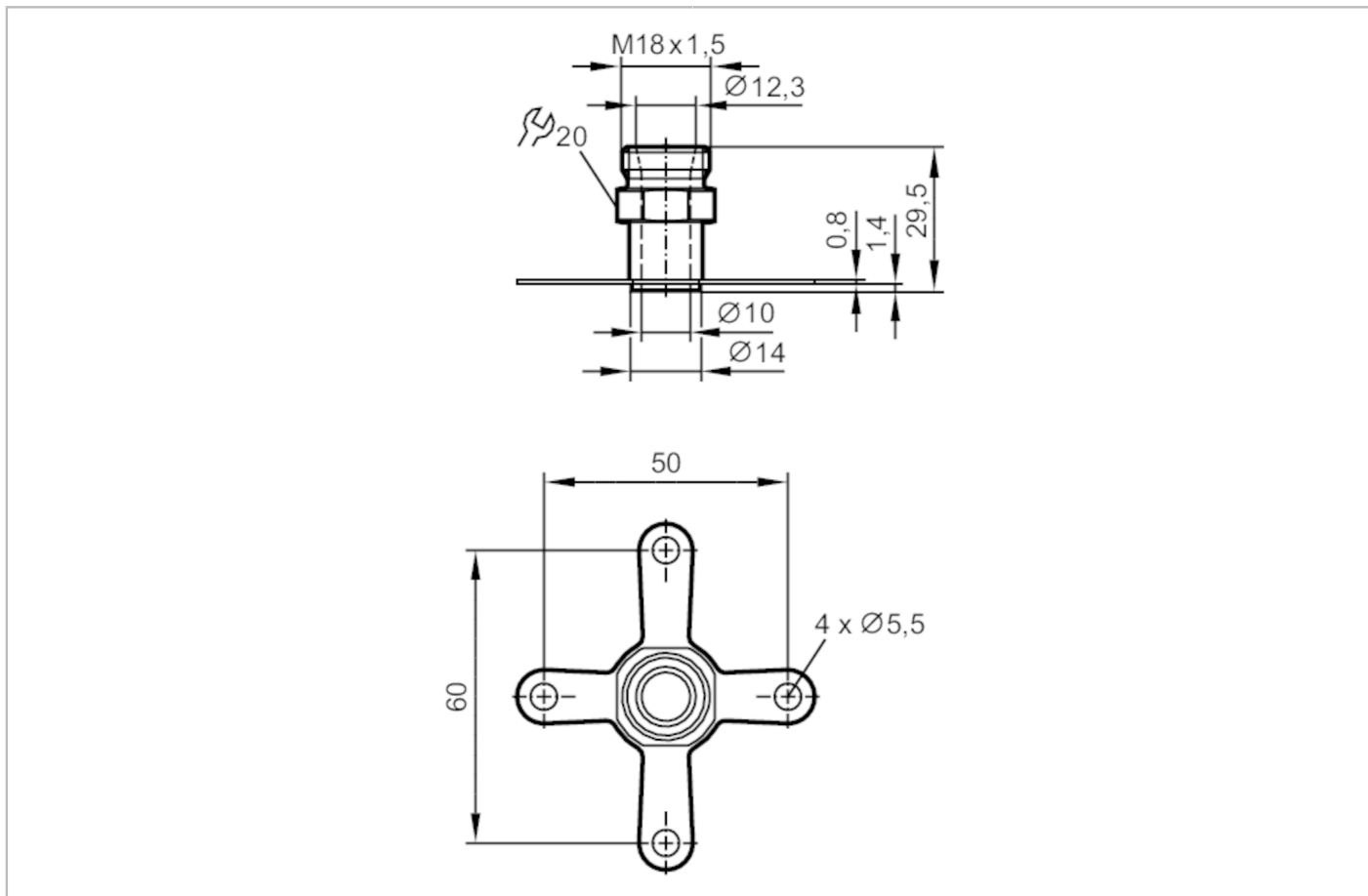


E43908



Mounting adapter for flow sensors

ADAPTION SHEET WELDED M18



Application	
Media	liquids and gases of the fluid group 2 according to the Pressure Equipment Directive (PED)
Tests / approvals	
Pressure Equipment Directive EAC	The adapter is intended for use in devices, machines and installations that do not fall under the categories of the technical rule TR CU 032/2013.
Mechanical data	
Weight [g]	97.5
Materials	stainless steel (1.4404 / 316L); stainless steel (1.4435 / 316L)
Sensor connection	M18 x 1,5
Remarks	
Pack quantity	1 pcs.