

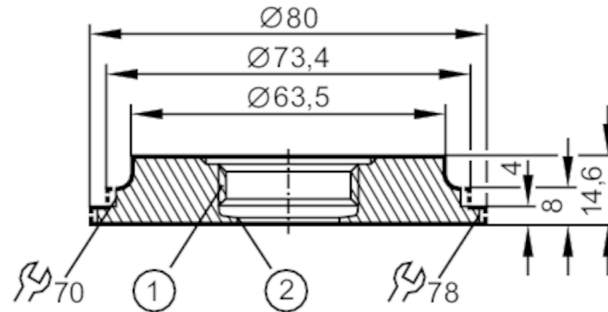
E33033



Process adapter for SMS pipe fitting

ADAPT IFM-SMS DN65 (2.5)

phase-out article



- 1 Aseptoflex thread
- 2 Aseptoflex sealing edge

EC 1935/2004

Application

Pressure rating [bar] 25

Tests / approvals

Pressure Equipment Directive	A possible classification to PED depends on the application and has to be carried out by the user / operator.
Pressure Equipment Directive EAC	The adapter is intended for use in devices, machines and installations that do not fall under the categories of the technical rule TR CU 032/2013.
Safety instructions	The compatibility between medium and product material has to be checked in all applications.

Mechanical data

Weight [g]	413.6
Materials	stainless steel (1.4404 / 316L)
Sensor connection	Aseptoflex
Process connection	SMS pipe fitting DN65 (2,5")
Surface characteristics Ra/Rz of the wetted parts	0.4 / 4
Hygienic equipment class to DIN 11866	H4

Remarks

Pack quantity 1 pcs.