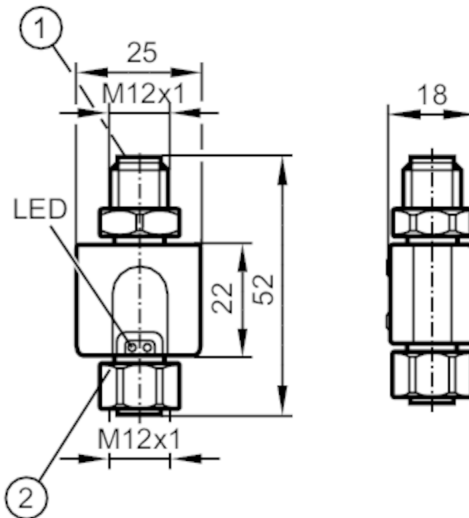




IO-Link memory plug

MEMORY PLUG



- 1 connection for voltage supply and output signals
2 connection for temperature sensor



Electrical data

Operating voltage [V]	18...32 DC
Current consumption [mA]	< 35
Min. insulation resistance [MΩ]	100; (500 V DC)
Protection class	III
Reverse polarity protection	yes

Outputs

Output signal	IO-Link
Electrical design	PNP
Max. voltage drop switching output DC [V]	0.5
Permanent current rating of switching output DC [mA]	500; (briefly: 2 A / 50 ms)
Type of short-circuit protection	depending on the connected sensor

Interfaces

Communication interface	IO-Link
-------------------------	---------

IO-Link Device

Transmission type	COM2 (38,4 kBaud)
IO-Link revision	1.1
Profiles	no profile
SIO mode	no
Required master port type	A
Min. process cycle time [ms]	2.5

IO-Link Master

Transmission type	COM1 (4,8 kBaud); COM2 (38,4 kBaud)
IO-Link revision	1.1
SDCI standard	IEC 61131-9 (Draft)

E30398



IO-Link memory plug

MEMORY PLUG

Number of ports class A	1
-------------------------	---

Operating conditions

Ambient temperature	[°C]	-25...60
Storage temperature	[°C]	-40...85
Protection		IP 65; IP 67

Tests / approvals

EMC	EN 61000-6-2	
Shock resistance	DIN IEC 68-2-27	50 g 11 ms
Vibration resistance	DIN IEC 68-2-6	20 g (10...2000 Hz)
MTTF	[years]	655.69

Mechanical data

Weight	[g]	116.5
Dimensions	[mm]	M12 x 1
Thread designation		M12 x 1
Materials		PA PACM 12 (TROGAMID); PET
Sealing material		FKM

Displays / operating elements

Display	operation	2 x LED, green
---------	-----------	----------------

Remarks

Remarks	only for positive switching sensors
	The memory plug acts as master if it is connected with a sensor.
	The memory plug acts as device if it is used with the service program.
	operating voltage "supply class 2" according to cULus
Pack quantity	1 pcs.

Electrical connection

Connector: 1 x M12; coding: A; Moulded body: TPU; Locking: stainless steel (1.4404 / 316L); Sealing: FKM



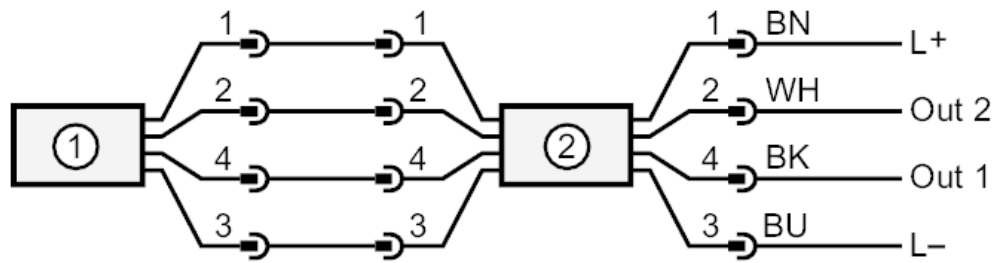
E30398



IO-Link memory plug

MEMORY PLUG

Connection



- 1: sensor
2: memory plug