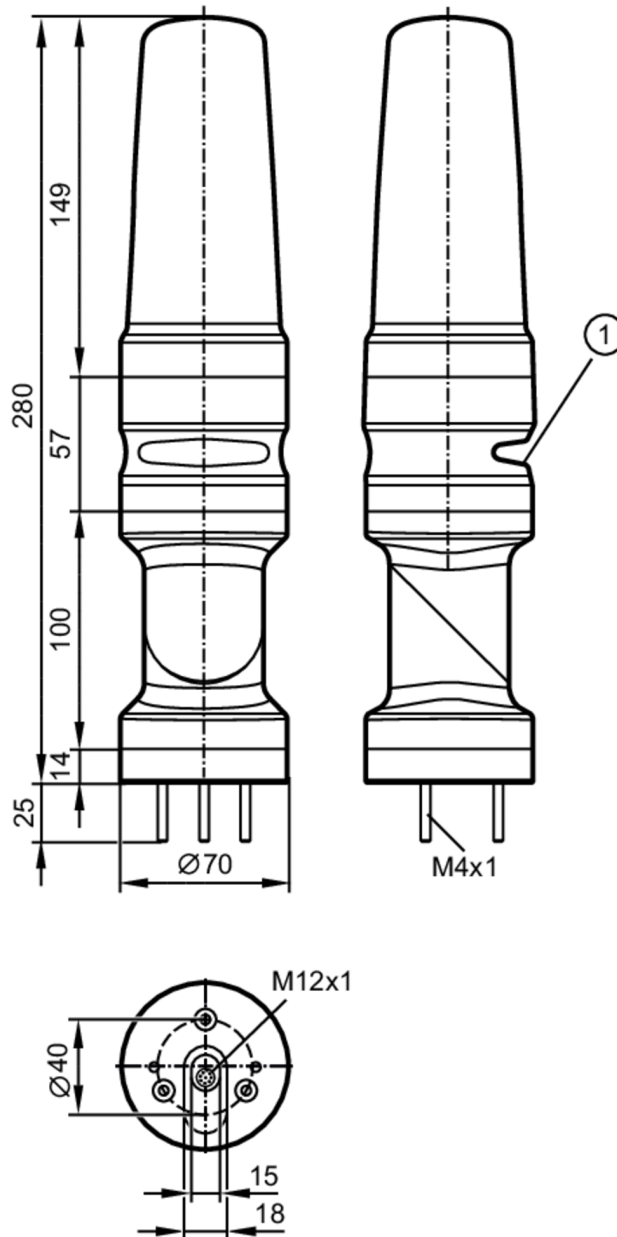


DV2310



3-segment signal light

LED-Tower-3/IOL/Bracket+Buz



1 buzzer



Application

Application

signalling machine conditions

Electrical data

Operating voltage	[V]	18...30 DC; (to SELV/PELV)
Nominal voltage DC	[V]	24
Current consumption	[mA]	< 200

Inputs

Input current High	[mA]	6
--------------------	------	---

DV2310



3-segment signal light

LED-Tower-3/IOL/Bracket+Buz

Interfaces		
Communication interface	IO-Link	
Transmission type	COM2 (38,4 kBaud)	
IO-Link revision	1.1	
SDCI standard	IEC 61131-9	
SIO mode	yes	
Required master port type	A	
Min. process cycle time [ms]	3.2	
Supported DeviceIDs	Type of operation	DeviceID
	default	1467
Operating conditions		
Ambient temperature [°C]	-25...50	
Storage temperature [°C]	-40...75	
Max. relative air humidity [%]	90	
Air pressure [kPa]	< 106	
Max. height above sea level [m]	2000	
Protection	IP 54	
Tests / approvals		
UL approval	power supply	Class 2
Mechanical data		
Weight [g]	520	
Type of mounting	Mounting base	
Dimensions [mm]	Ø 70 / L = 280	
Materials	housing: ABS; lens: PC	
Displays / operating elements		
Display	LED segment	3 x 4 LED
Acoustic signal	buzzer	
Max. sound pressure [dB]	85	
Accessories		
Accessories (optional)	mounting base, E89060	
	wall bracket, E89061	
	Mounting adapter, E89063	
	bracket with lateral cable entry, E89064	
	mounting tube, E89065	
	mounting tube, E89066	
mounting tube, E89067		
Remarks		
Remarks	For further information please see the operating instructions.	
Pack quantity	1 pcs.	

DV2310



3-segment signal light

LED-Tower-3/IOL/Bracket+Buz

Electrical connection - plug

Connector: M12; coding: A



1	L+
2	not used
3	L-
4	IO-Link (C/Q)

Diagrams and graphs

