

DV1004



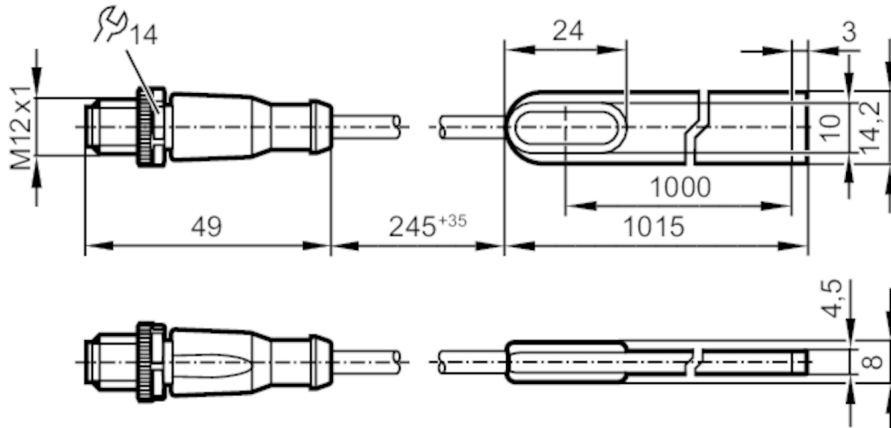
LED strip RGBW

LED-Stripe-RGBW-1000mm-IP68

phase-out article

Alternative articles: DV1100

When selecting an alternative article and accessories please note that technical data may differ!



Application

Application: signalling machine conditions

Electrical data

Operating voltage	[V]	21.6...26.4 DC
Nominal voltage DC	[V]	24; (to SELV/PELV)
Current consumption	[mA]	1600
Colour temperature	[K]	4000
Luminous flux	[lm]	red: 101.2; green: 188.8; blue: 37; white: 285.2
Note on luminous flux	[lm]	luminous flux indications refer to one meter of LED strip
Typ. lifetime	[h]	30000

Inputs

Input circuit of digital inputs: 24 V PNP

Operating conditions

Ambient temperature	[°C]	-20...45
Max. relative air humidity	[%]	90
Max. height above sea level	[m]	4000
Protection		IP 68
Pollution degree		2

Tests / approvals

Approval: IEC 62471; IEC 62031

Mechanical data

Weight	[g]	123.8
Dimensions	[mm]	1015 x 14.2 x 4.5

DV1004



LED strip RGBW

LED-Stripe-RGBW-1000mm-IP68

Displays / operating elements

Display	signalling machine conditions	LED, multi-colour RGB
	mounting light	LED, white

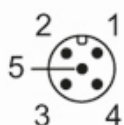
Remarks

Pack quantity	1 pcs.
---------------	--------

Electrical connection

Cable: 0.3 m

Connector: M12; coding: A



- | | |
|---|---------|
| 1 | + red |
| 2 | + green |
| 3 | GND |
| 4 | + white |
| 5 | + blue |

Diagrams and graphs

