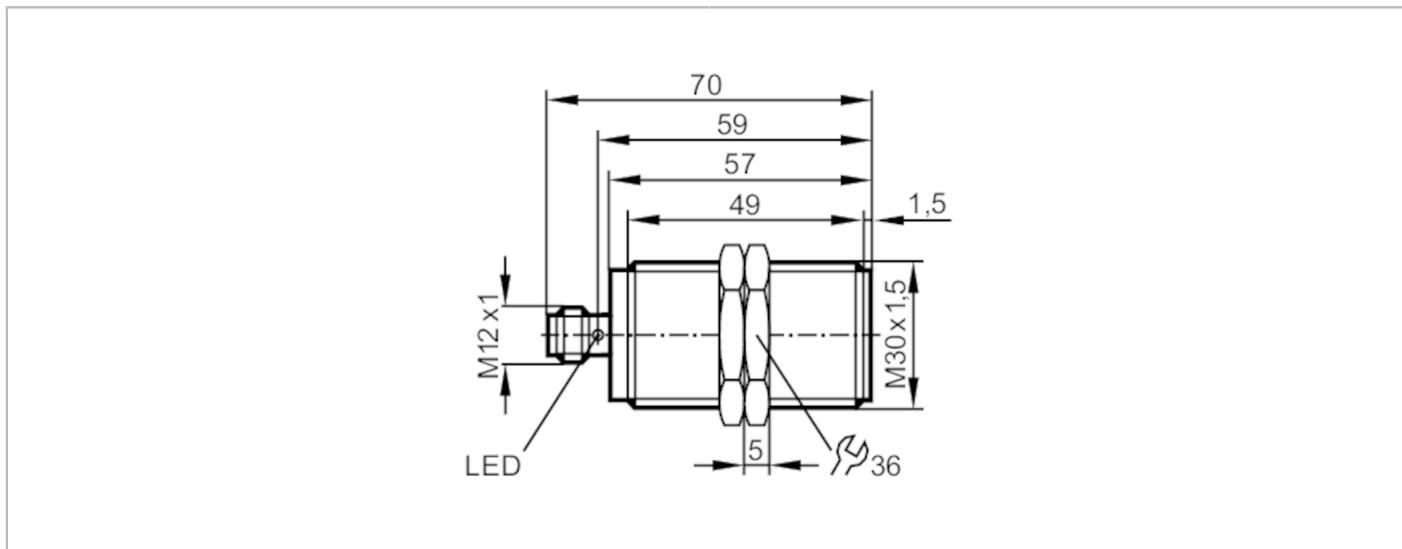


DTI434



RFID read/write head HF

DTRHF IBRWIOUS03



Application

Application	detection of objects on transport equipment
Radio approval for	USA; Canada; EU/RED; Australia; China; Singapore; Japan; Taiwan; India
Note on radio approval	The list of countries applying the European Radio Equipment Directive 2014/53/EU (RED) can be found under "Downloads".

Electrical data

Operating voltage [V]	19.2...28.8 DC
Current consumption [mA]	< 50
Protection class	III
Operating frequency [MHz]	13,56
RFID standard	ISO 15693

Detection zone

Distance to the ID tag [mm]	referred to 30 mm coin tag; I-CODE SLI	: ≤ 30
-----------------------------	--	--------

Interfaces

Communication interface	IO-Link	
Transmission type	COM2 (38,4 kBaud)	
IO-Link revision	1.1	
Profiles	Smart Sensor: Device Identification	
SIO mode	no	
Required master port type	A	
Supported DeviceIDs	Type of operation	DeviceID
	default	967

Operating conditions

Ambient temperature [°C]	-20...60
Storage temperature [°C]	-25...80
Protection	IP 67; IP 69K

DTI434



RFID read/write head HF

DTRHF IBRWIOUS03

Tests / approvals		
Shock resistance	EN 60068-2-27	40 g 6 ms / repetitive
	EN 60068-2-27	50 g 11 ms / not repetitive
Vibration resistance	EN 60068-2-6	20 g 10...2000 Hz
Electrical protection	EN 61010-2-201 : 2013 +AC:2013	

Mechanical data	
Weight [g]	197.5
Housing	cylindrical
Mounting	flush mountable
Dimensions [mm]	M30 x 1.5 / L = 70
Thread designation	M30 x 1.5
Materials	housing: stainless steel (1.4301 / 304); Protective cover: PPS

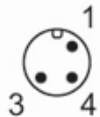
Displays / operating elements		
Display	operation	1 x LED, green
	tag communication	1 x LED, yellow

Accessories	
Items supplied	nut 2 x M30 x 1,5

Remarks	
Pack quantity	1 pcs.

Electrical connection

Connector: 1 x M12; coding: A



Connection

