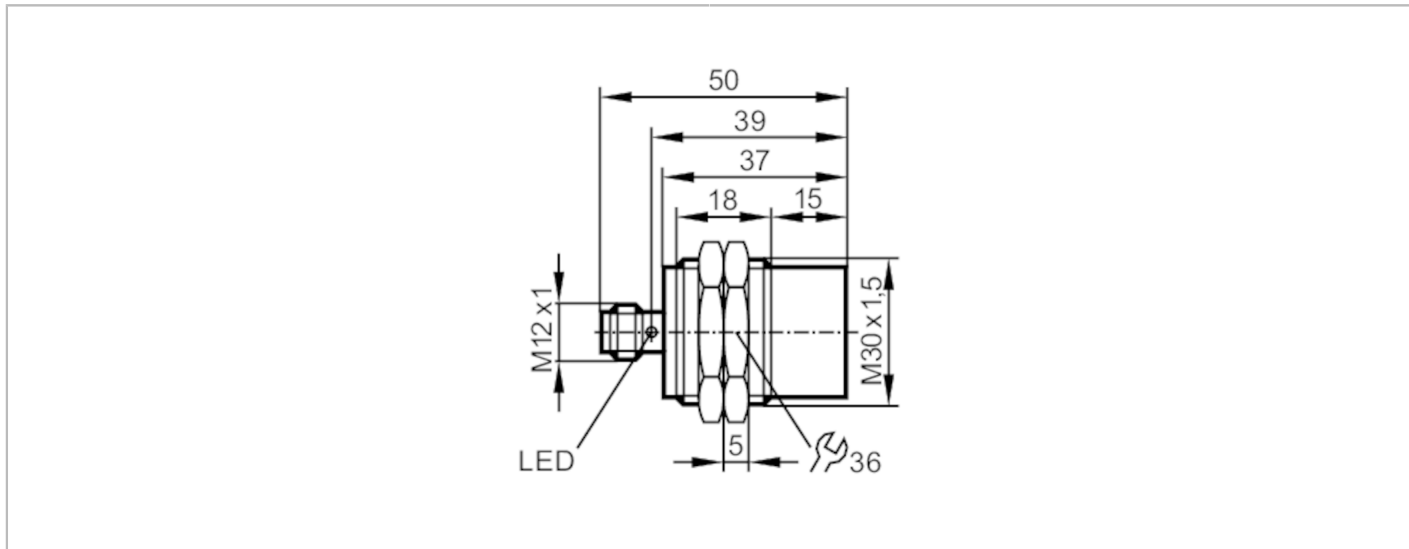


# DTI431



## RFID read/write head HF

DTRHF INRWIOUS03



| Application                         |  |                   |          |         |     |
|-------------------------------------|--|-------------------|----------|---------|-----|
| Application                         | detection of objects on transport equipment  |                   |          |         |     |
| Radio approval for                  | USA; Canada; EU/RED; Australia; Japan; China; Taiwan; India; Singapore   |                   |          |         |     |
| Note on radio approval              | The list of countries applying the European Radio Equipment Directive 2014/53/EU (RED) can be found under "Downloads".   |                   |          |         |     |
| Electrical data                     |  |                   |          |         |     |
| Operating voltage [V]               | 19.2...28.8 DC   |                   |          |         |     |
| Current consumption [mA]            | < 50   |                   |          |         |     |
| Protection class                    | III  |                   |          |         |     |
| Operating frequency [MHz]           | 13,56  |                   |          |         |     |
| RFID standard                       | ISO 15693  |                   |          |         |     |
| Detection zone                      |  |                   |          |         |     |
| Distance write/read head front [mm] | 160  |                   |          |         |     |
| Distance write/read head side [mm]  | 120  |                   |          |         |     |
| Distance to the ID tag [mm]         | referred to 30 mm coin tag; I-CODE SLI : ≤ 45  |                   |          |         |     |
| Interfaces                          |  |                   |          |         |     |
| Communication interface             | IO-Link  |                   |          |         |     |
| Transmission type                   | COM2 (38,4 kBaud)  |                   |          |         |     |
| IO-Link revision                    | 1.1  |                   |          |         |     |
| SDCI standard                       | IEC 61131-9  |                   |          |         |     |
| Profiles                            | Smart Sensor: Device Identification  |                   |          |         |     |
| SIO mode                            | no   |                   |          |         |     |
| Required master port type           | A  |                   |          |         |     |
| Supported DeviceIDs                 | <table border="1"> <thead> <tr> <th>Type of operation</th> <th>DeviceID</th> </tr> </thead> <tbody> <tr> <td>default</td> <td>967</td> </tr> </tbody> </table> | Type of operation | DeviceID | default | 967 |
| Type of operation                   | DeviceID   |                   |          |         |     |
| default                             | 967  |                   |          |         |     |
| Operating conditions                |  |                   |          |         |     |
| Ambient temperature [°C]            | -20...60   |                   |          |         |     |

# DTI431



## RFID read/write head HF

DTRHF INRWIOUS03

|                     |      |               |
|---------------------|------|---------------|
| Storage temperature | [°C] | -25...80      |
| Protection          |      | IP 67; IP 69K |

### Tests / approvals

|                      |                |                             |
|----------------------|----------------|-----------------------------|
| Shock resistance     | EN 60068-2-27  | 40 g 6 ms / repetitive      |
|                      | EN 60068-2-27  | 50 g 11 ms / not repetitive |
| Vibration resistance | EN 60068-2-6   | 20 g 10...2000 Hz           |
| UL approval          | Ta             | -20...60 °C                 |
|                      | Enclosure type | Type 1                      |
|                      | power supply   | Limited Voltage/Current     |
|                      | File number UL | E205959                     |

### Mechanical data

|                    |      |   |
|--------------------|------|---|
| Weight             | [g]  | 178.5   |
| Housing            |      | cylindrical                                     |
| Mounting           |      | non-flush mountable                             |
| Dimensions         | [mm] | M30 x 1.5 / L = 50                              |
| Thread designation |      | M30 x 1.5                                       |
| Materials          |      | housing: stainless steel; Protective cover: PPS |

### Displays / operating elements

|         |                   |                 |
|---------|-------------------|-----------------|
| Display | operation         | 1 x LED, green  |
|         | tag communication | 1 x LED, yellow |

### Accessories

|                |                   |
|----------------|-------------------|
| Items supplied | nut 2 x M30 x 1,5 |
|----------------|-------------------|

### Remarks

|               |        |
|---------------|--------|
| Pack quantity | 1 pcs. |
|---------------|--------|

### Electrical connection

Connector: 1 x M12; coding: A



# DTI431



## RFID read/write head HF

DTRHF INRWIOUS03

### Connection

