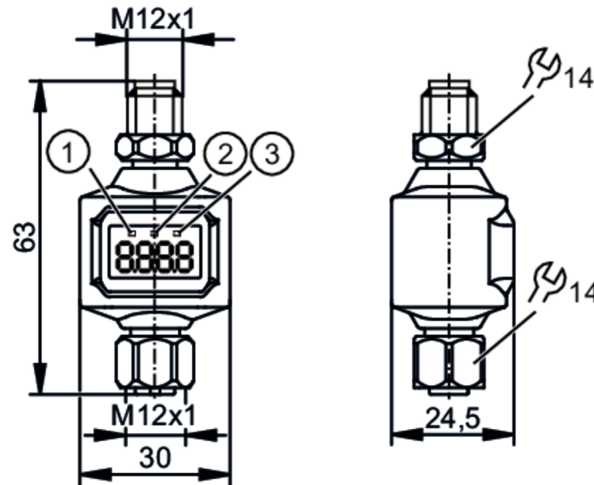


# DP4200



## Evaluation system and display for analogue signals

ANLG THOLD DISP/4-20mA/IP69K



- 1 LED I
- 2 Power
- 3 LED II



### Application

Application: decentralised display, preprocessing and conversion of analogue signals; for use in wet environments; indoor use

### Electrical data

Operating voltage [V]	18...30 DC; ((in wet environments: 18...28 V) to SELV/PELV)
Nominal voltage DC [V]	24
Current consumption [mA]	30...900
Max. current load total [A]	0.8

### Inputs / outputs

Number of inputs and outputs: Number of analogue inputs: 1; Number of digital outputs: 1; Number of analogue outputs: 1

### Inputs

Sensor supply of the inputs	from operating voltage
Number of analogue inputs	1
Analogue input (current) [mA]	4...20

### Outputs

Number of digital outputs	1
Voltage range DC [V]	10...30
Output function	normally open / normally closed; (parameterisable)
Max. current load per output [mA]	50
Number of analogue outputs	1
Analogue current output [mA]	4...20

### Accuracy / deviations

Accuracy: 0.75; (% of the final value of the measuring range analogue input)

### Interfaces

Communication interface: IO-Link

# DP4200



## Evaluation system and display for analogue signals

ANLG THOLD DISP/4-20mA/IP69K

Supported DeviceIDs	Type of operation	DeviceID
	default	610
<b>IO-Link Device</b>		
Transmission type	COM2 (38,4 kBaud)	
IO-Link revision	1.1	
SDCI standard	IEC 61131-9	
Profiles	Smart Sensor	
SIO mode	yes	
Required master port type	A	
Process data analogue	1	
Process data binary	1	
Min. process cycle time [ms]	3	
<b>Operating conditions</b>		
Ambient temperature [°C]	-25...60	
Storage temperature [°C]	-25...70	
Max. relative air humidity [%]	90; (linearly decreasing to 50 % (40 °C); non condensing)	
Max. height above sea level [m]	4000	
Protection	IP 67; IP 69K	
Pollution degree	2	
<b>Tests / approvals</b>		
MTTF [years]	370	
<b>Mechanical data</b>		
Weight [g]	78.5	
Weight (without accessories and packaging) [g]	27	
Dimensions [mm]	63 x 30 x 24.5	
Materials	housing: PA	
Material nut	stainless steel (316L/1.4404)	
Sealing material	FKM	
<b>Displays / operating elements</b>		
Display	switching status	LED, yellow
	operation	LED, green
		7-segment LED display, red/green 4-digit parameterisable
		digit height 6,8 mm
		digit width 3,8 mm
<b>Remarks</b>		
Remarks	For further information please see the operating instructions.	
Pack quantity	1 pcs.	

# DP4200



## Evaluation system and display for analogue signals

ANLG THOLD DISP/4-20mA/IP69K

### Electrical connection - plug

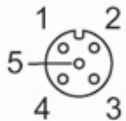
Connector: 1 x M12, straight; coding: A; Locking: stainless steel (316L/1.4404)



1: L+	supply voltage
2: OUT2	analogue output
3: L-	supply voltage
4: OUT1	IO-Link (C/Q)

### Electrical connection - socket

Connector: 1 x M12, straight; coding: A; Locking: stainless steel (316L/1.4404); Sealing: FKM



1: L+	Sensor supply
2: 4...20 mA	analogue input
3: L-	Sensor supply
4:	not used
5:	not used