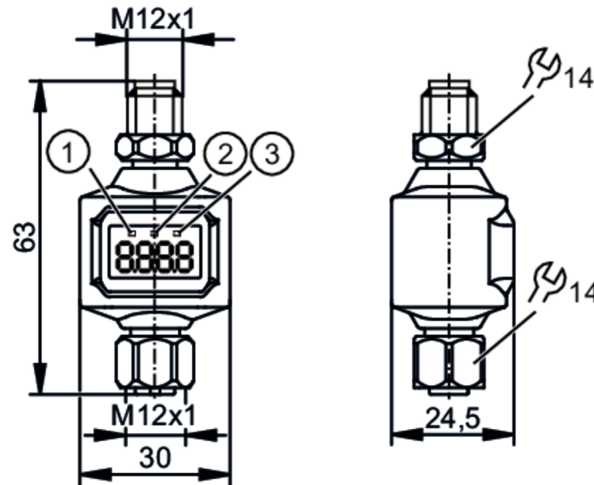


# DP4122



## Speed monitor IO-Link - 0...2000 Hz

MONITORING DISP-SPEED/IP69K



- 1 LED I
- 2 Power
- 3 LED II



### Product characteristics

Number of inputs and outputs	Number of digital inputs: 1; Number of digital outputs: 2
Communication interface	IO-Link
DP4122_FREQ / CMPT = 1	
Measuring range [Hz]	0.1...2000
DP4122_REVL / CMPT = 2	
Measuring range [U/min]	1...120000

### Application

Application	decentralised evaluation unit for speed monitoring and display; for use in wet environments; indoor use
-------------	---

### Electrical data

Operating voltage [V]	18...30 DC; ((in wet environments: 18...28 V) to SELV/PELV)
Nominal voltage DC [V]	24
Current consumption [mA]	< 380
Max. current load total [A]	0.2

### Inputs / outputs

Number of inputs and outputs	Number of digital inputs: 1; Number of digital outputs: 2
------------------------------	---

### Inputs

Number of digital inputs	1; (IEC61131-2)
Input current limitation [mA]	200

### Outputs

Electrical design	PNP/NPN
Number of digital outputs	2
Output function	normally open / normally closed; (parameterisable)
Short-circuit proof	yes



## Speed monitor IO-Link - 0...2000 Hz

MONITORING DISP-SPEED/IP69K

Measuring/setting range							
DP4122_FREQ / CMPT = 1							
Measuring range [Hz]	0.1...2000						
DP4122_REVL / CMPT = 2							
Measuring range [U/min]	1...120000						
Accuracy / deviations							
Hysteresis [%]	0.5...100						
Interfaces							
Communication interface	IO-Link						
Transmission type	COM2 (38,4 kBaud)						
IO-Link revision	1.1						
SDCI standard	IEC 61131-9						
Profiles	Smart Sensor: Measuring Sensor (High resolution, Disable function); Identification and Diagnosis; Switching Signal Channel; Adjustable Switching Signal Channel						
SIO mode	yes						
Required master port type	A						
Process data binary	1						
Min. process cycle time [ms]	4.3						
Supported DeviceIDs	<table border="1"> <thead> <tr> <th>Type of operation</th> <th>DeviceID</th> </tr> </thead> <tbody> <tr> <td>FREQ / CMPT = 1</td> <td>1167</td> </tr> <tr> <td>REVL / CMPT = 2</td> <td>1294</td> </tr> </tbody> </table>	Type of operation	DeviceID	FREQ / CMPT = 1	1167	REVL / CMPT = 2	1294
Type of operation	DeviceID						
FREQ / CMPT = 1	1167						
REVL / CMPT = 2	1294						
Operating conditions							
Ambient temperature [°C]	-25...60						
Note on ambient temperature	2000 m: -25...60 °C 3000 m: -25...53 °C 4000 m: -25...51 °C						
Storage temperature [°C]	-25...70						
Max. relative air humidity [%]	90; (linearly decreasing to 50 % (40 °C) non condensing)						
Max. height above sea level [m]	4000						
Protection	IP 67; IP 69K						
Pollution degree	2						
Tests / approvals							
MTTF [years]	317						
Mechanical data							
Weight [g]	77.3						
Weight (without accessories and packaging) [g]	28						
Dimensions [mm]	63 x 30 x 24.5						
Materials	housing: PA						
Material nut	stainless steel (316L/1.4404)						
Sealing material	FKM						

# DP4122



## Speed monitor IO-Link - 0...2000 Hz

MONITORING DISP-SPEED/IP69K

Displays / operating elements		
Display	operation	1 x LED, green
	switching output	2 x LED, yellow
		7-segment LED display, green/red configurable

Remarks	
Remarks	For further information please see the operating instructions.
Pack quantity	1 pcs.

### Electrical connection - plug

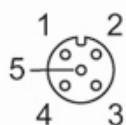
Connector: 1 x M12, straight; coding: A; Locking: stainless steel (316L/1.4404)



- 1: L+            supply voltage
- 2: OUT2        digital output 2
- 3: L-            supply voltage
- 4: OUT1        IO-Link C/Q

### Electrical connection - socket

Connector: 1 x M12, straight; coding: A; Locking: stainless steel (316L/1.4404); Sealing: FKM



- 1: L+
- 2:                Enable input
- 3: L-
- 4:                digital input 1
- 5:                not used