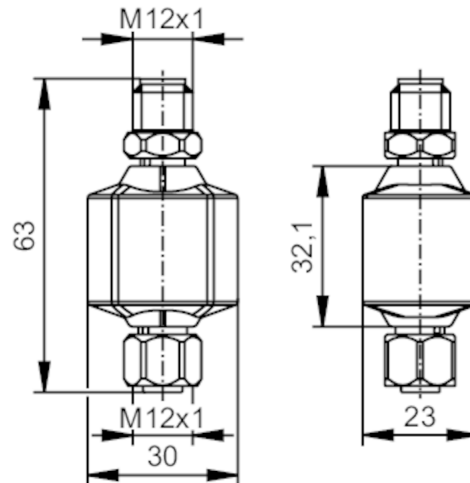


DP3603



Relay adapter

RELAIS ADAPTER/2xNO/IP69K



Product characteristics

Output function	normally open
Dimensions [mm]	63 x 30 x 23

Electrical data

Operating voltage [V]	18...30 DC; ((in wet environments: 18...28 V) ; to SELV/PELV)
Nominal voltage DC [V]	24
Current consumption [mA]	< 10

Inputs / outputs

Number of inputs and outputs	Number of digital inputs: 2; Number of relay outputs: 2
------------------------------	---

Inputs

Number of digital inputs	2; (type 3 (IEC 61131-2))
--------------------------	---------------------------

Outputs

Voltage range DC [V]	0...32; (to SELV/PELV)
Voltage range AC [V]	0...20; ((in wet environments: 0...16 V); to SELV/PELV)
Output function	normally open
Max. current load per output [mA]	1000; (socket pin 1: 2000 mA)
Number of relay outputs	2
Switching frequency AC [Hz]	1
Switching frequency DC [Hz]	1
Notes on switching frequency [Hz]	no capacitive loads

Operating conditions

Ambient temperature [°C]	-25...60
Note on ambient temperature	2000 m: -25...60 °C 3000 m: -25...55 °C 4000 m: -25...52 °C
Storage temperature [°C]	-25...70
Max. relative air humidity [%]	90; (linearly decreasing to 50 % (40 °C) non condensing)
Max. height above sea level [m]	4000

DP3603



Relay adapter

RELAIS ADAPTER/2xNO/IP69K

Protection	IP 67; IP 69K
Pollution degree	2; (before installation and when the device is replaced)

Tests / approvals

MTTF	[years]	942
------	---------	-----

Mechanical data

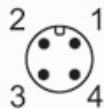
Weight	[g]	75.1
Weight (without accessories and packaging)	[g]	35
Dimensions	[mm]	63 x 30 x 23
Materials		housing: PA; threaded sleeve: stainless steel (316L/1.4404)
Sealing material		FKM

Remarks

Remarks	For further information please see the operating instructions.
Pack quantity	1 pcs.

Electrical connection - plug

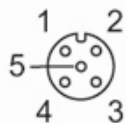
Connector: 1 x M12, straight; coding: A; Sealing: FKM



- 1: L+
- 2: IN1 DI
- 3: L-
- 4: IN2 DI

Electrical connection - socket

Connector: 1 x M12, straight; coding: A; Sealing: FKM



- 1: L1 / L+ (AC/DC)
- 2: OUT1 NO
- 3: n.c.
- 4: OUT2 NO
- 5: n.c.