

SN0120

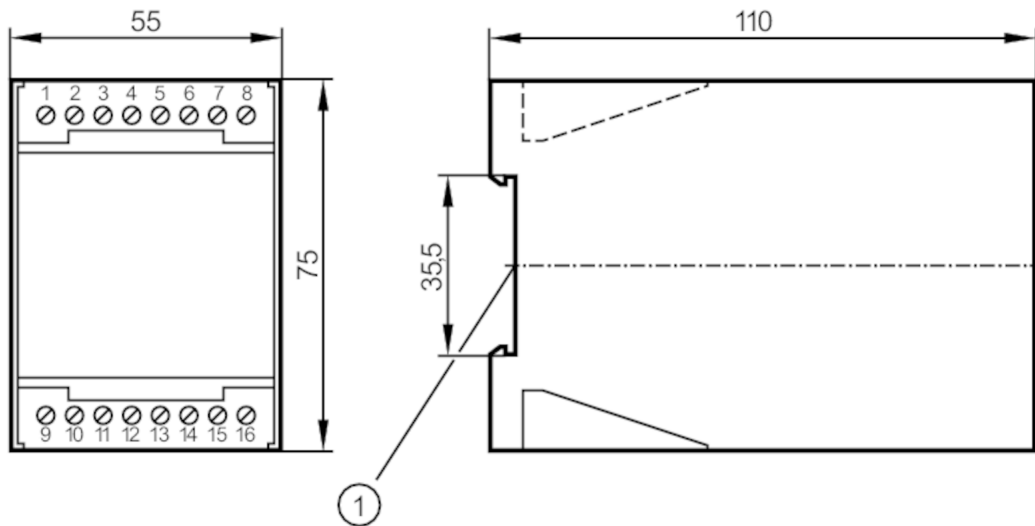


Control monitor for flow sensors

VS0200/ 24VDC/230VAC

Article no longer available - archive entry

replaced by: SN0150



1 mounting on DIN rail



Application

Application Flow monitoring; switch-off delay at the switch-on moment

Electrical data

| | | |
|-----------------------------|------|------------------|
| Operating voltage tolerance | [%] | -10...10 |
| Operating voltage | [V] | < 230 AC / 24 DC |
| Current consumption | [mA] | 60 |
| Power-on delay time | [s] | 0...40 |
| Number of channels | | 1 |

Outputs

| | |
|------------------------------------|---|
| Electrical design | relay |
| Contact rating | 4 A, 250 V AC |
| Switching function flow monitoring | relay energised when flow is present and when timer is on |

Software / programming

| | |
|--------------------------------|---------------|
| Adjustment of the switch point | potentiometer |
| Selection liquids / gases | slide switch |

Operating conditions

| | | |
|-----------------------------|------|--------|
| Ambient temperature | [°C] | 0...60 |
| Protection | | IP 40 |
| Protection rating terminals | | IP 20 |

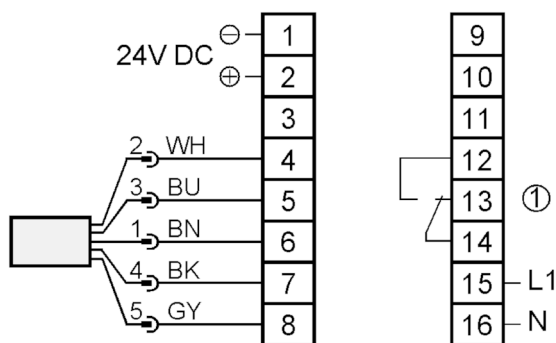
SN0120



Control monitor for flow sensors

VS0200/ 24VDC/230VAC

| Mechanical data | | |
|--|-------------------------------|----------|
| Housing | housing for DIN rail mounting | |
| Dimensions [mm] | 75 x 55 x 110 | |
| Materials | plastics | |
| Displays / operating elements | | |
| Display | function | 11 x LED |
| Remarks | | |
| Pack quantity | 1 pcs. | |
| Electrical connection | | |
| terminals: 16 x ...2.5 mm ² | | |
| Connection | | |



- 1: Relais Flow monitoring
Core colours :
- BN = brown
 - BU = blue
 - BK = black
 - WH = white
 - GY = grey

Article no longer available - archive entry

replaced by: SN0150