

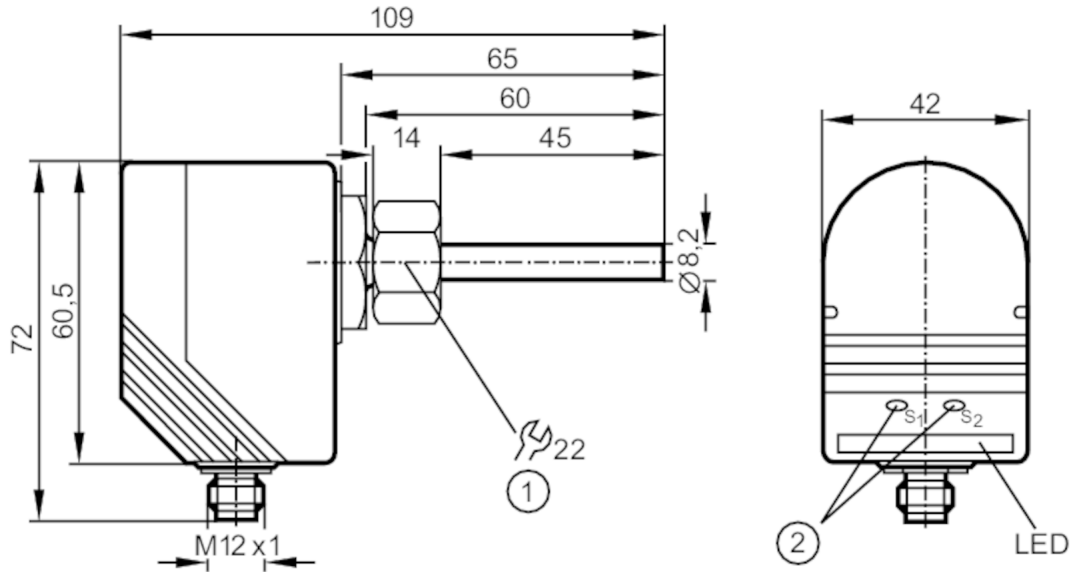
SI1101



Flow monitor

SID10ADTFNKG/US-100-INF

Article no longer available - archive entry



- 1 internal thread M18 x 1.5
2 setting pushbuttons



Product characteristics

Number of inputs and outputs	Number of digital outputs: 1
Process connection	M18 x 1,5 internal thread

Application

Media	Liquids; Gases; aggressive media
Medium temperature [°C]	-25...80
Pressure rating [bar]	300

Liquids

Medium temperature [°C]	-25...80
-------------------------	----------

Gases

Medium temperature [°C]	-25...80
-------------------------	----------

Electrical data

Operating voltage [V]	20...36 DC; (according to EN 50178 SELV/PELV)
Current consumption [mA]	< 80
Reverse polarity protection	yes
Power-on delay time [s]	15; (optically indicated)

Inputs / outputs

Number of inputs and outputs	Number of digital outputs: 1
------------------------------	------------------------------



Flow monitor

SID10ADTFNKG/US-100-INF

Outputs		
Total number of outputs		1
Output signal		switching signal
Electrical design		NPN
Number of digital outputs		1
Output function		normally open / normally closed; (parameterisable)
Max. voltage drop switching output DC	[V]	2.5
Permanent current rating of switching output DC	[mA]	400
Short-circuit protection		yes
Type of short-circuit protection		pulsed
Overload protection		yes
Measuring/setting range		
Liquids		
Setting range	[cm/s]	3...300
Greatest sensitivity	[cm/s]	3...60
Gases		
Setting range	[cm/s]	200...3000
Greatest sensitivity	[cm/s]	200...800
Accuracy / deviations		
Temperature gradient	[K/min]	300
Response times		
Response time	[s]	1...2
Liquids		
Response time	[s]	1...2
Gases		
Response time	[s]	1...2
Software / programming		
Adjustment of the switch point		pushbutton
Operating conditions		
Ambient temperature	[°C]	-25...80
Protection		IP 67
Tests / approvals		
Shock resistance	DIN IEC 68-2-27	50 g (11 ms)
Vibration resistance	DIN EN 60068-2-6	20 g (55...2000 Hz)
Mechanical data		
Dimensions	[mm]	M18 x 1.5
Thread designation		M18 x 1.5
Materials		PBT-GF20
Materials (wetted parts)		titanium (3.7035); O-ring: FPM 8 x 1,5 gr 80° Shore A
Process connection		M18 x 1,5 internal thread

SI1101



Flow monitor

SID10ADTFNKG/US-100-INF

Displays / operating elements

Display	function	10 x LED, three-colour
---------	----------	------------------------

Remarks

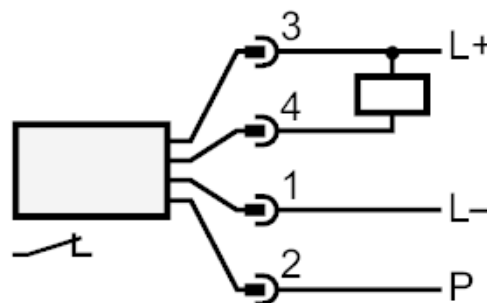
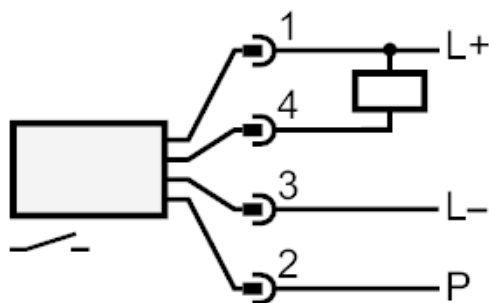
Pack quantity	1 pcs.
---------------	--------

Electrical connection

Connector: 1 x M12



Connection



P = programming wire

Article no longer available - archive entry