

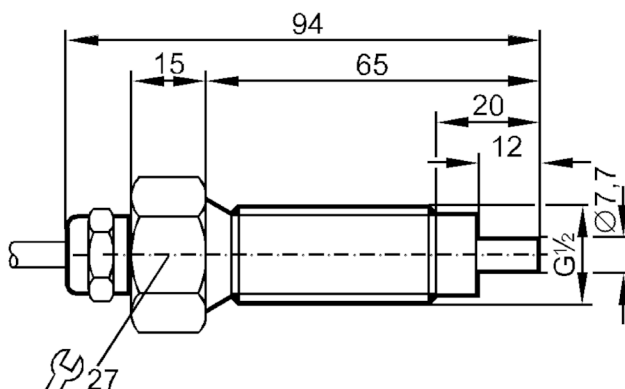
# SF0714



## Flow sensor for connection to an evaluation unit

SFR12ABBE1

Article no longer available - archive entry



### Product characteristics

Process connection G 1/2 external thread

### Application

Application Ex zone 1

Medium temperature [°C] -25...80

Pressure rating [bar] 40

### Liquids

Application Ex zone 1

Medium temperature [°C] -25...80

### Gases

Medium temperature [°C] -25...80

### Electrical data

Connection to control monitor VS 0200 Exi

### Measuring/setting range

#### Liquids

Setting range [cm/s] 3...300

Greatest sensitivity [cm/s] 3...60

#### Gases

Setting range [cm/s] 200...2000

Greatest sensitivity [cm/s] 200...800

### Accuracy / deviations

Temperature gradient [K/min] 15

### Response times

Response time [s] 1...10

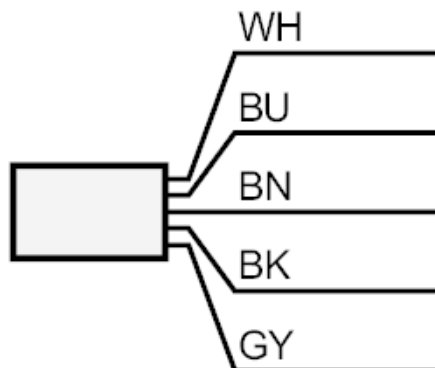
# SF0714



## Flow sensor for connection to an evaluation unit

SFR12ABBE1

Liquids	
Response time	[s] 1...10
Gases	
Response time	[s] 1...10
Operating conditions	
Protection	IP 67
Mechanical data	
Housing	threaded type
Materials	stainless steel (1.4571/316Ti)
Materials (wetted parts)	stainless steel (1.4571/316Ti)
Process connection	G 1/2 external thread
Remarks	
Pack quantity	1 pcs.
Electrical connection	
Cable: 2 m, TPE-S; Maximum cable length: 100 m; 5 x 0.34 mm <sup>2</sup>	
Connection	



Core colours :

BN =	brown
BU =	blue
BK =	black
WH =	white
GY =	grey

Article no longer available - archive entry