

RN6040

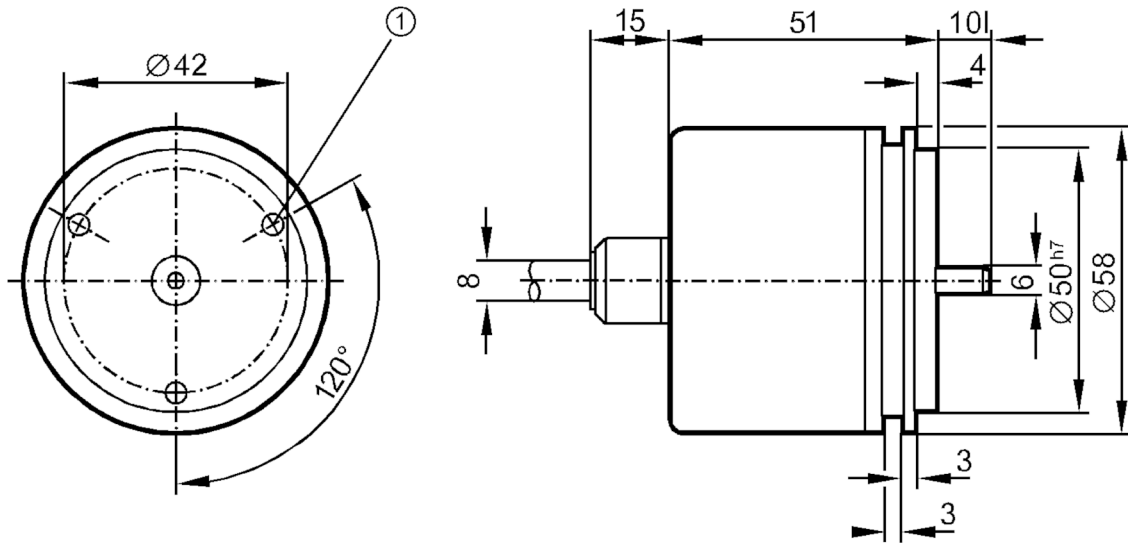


Absolute singleturn encoder with solid shaft

RN-0256-G24/L6A

Article no longer available - archive entry

Alternative article: RN6012 When selecting an alternative article and accessories please note that technical data may differ! – When selecting an alternative article and accessories please note that technical data may differ!



1 M4 Depth 5 mm



Product characteristics

Resolution	256 resolution
Communication interface	parallel
Shaft design	solid shaft
Shaft diameter [mm]	6

Electrical data

Operating voltage [V]	10...30 DC
Current consumption [mA]	< 150
Max. revolution electrical [U/min]	6000

Outputs

Electrical design	HTL
Max. current load per output [mA]	20
Type of short-circuit protection	< 60 s
Code	Gray code; (increasing code values when turned clockwise (seen on the shaft))

Measuring/setting range

Resolution	256 resolution
------------	----------------

Interfaces

Communication interface	parallel
-------------------------	----------

RN6040



Absolute singleturn encoder with solid shaft

RN-0256-G24/L6A

Operating conditions		
Ambient temperature	[°C]	-20...70
Storage temperature	[°C]	-30...100
Max. relative air humidity	[%]	98
Protection		IP 65
Tests / approvals		
Shock resistance		100 g (6 ms)
Vibration resistance		10 g (55...2000 Hz)
Mechanical data		
Dimensions	[mm]	Ø 58 / L = 76
Materials		aluminium
Max. revolution, mechanical	[U/min]	10000
Max. starting torque	[Nm]	1
Reference temperature torque	[°C]	20
Shaft design		solid shaft
Shaft diameter	[mm]	6
Shaft material		steel (1.4104)
Max. shaft load axial (at the shaft end)	[N]	10
Max. shaft load radial (at the shaft end)	[N]	20
Electrical connection		
Cable: 6 m, PUR; Maximum cable length: 100 m; axial		
brown	10...30V	
yellow/brown	10...30V sensor	
white	0V	
white/yellow	0V sensor	
green	release A inverted 5...30V	
yellow	release B inverted 5...30V	
white/grey	bit 8 (MSB) inverted	
brown/green	bit 8 (MSB)	
white/green	bit 7	
red/blue	bit 6	
grey/pink	bit 5	
lilac	bit 4	
black	bit 3	
red	bit 2	
blue	bit 1	
Screen	housing	

RN6040

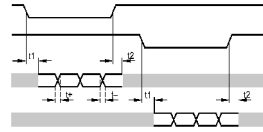


Absolute singleturn encoder with solid shaft

RN-0256-G24/L6A

Diagrams and graphs

Pulse diagram



release A inverted

release B inverted

tracks 3...10

tracks 1...2

Article no longer available - archive entry

Alternative article: RN6012 When selecting an alternative article and accessories please note that technical data may differ! – When selecting an alternative article and accessories please note that technical data may differ!