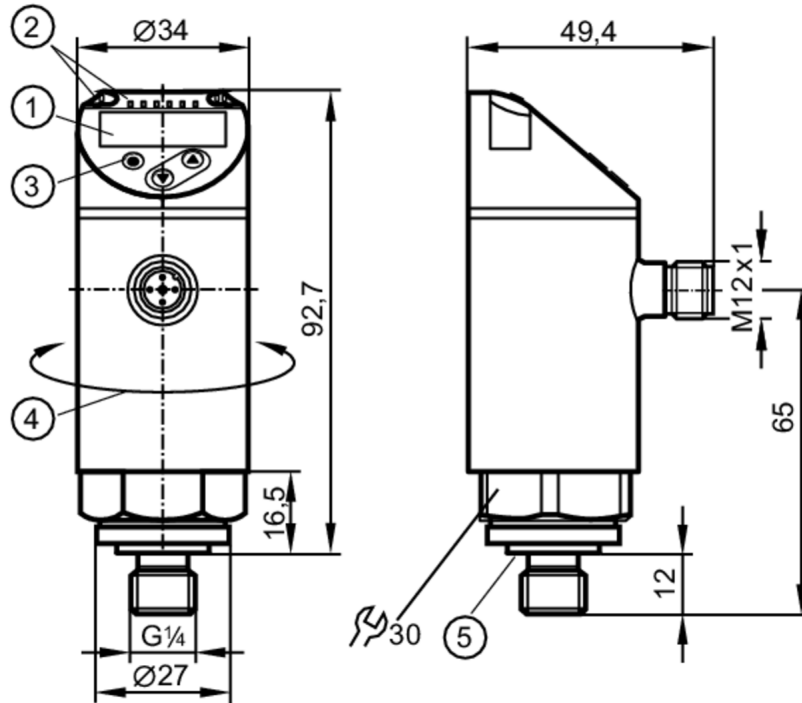


PN7592



Pressure sensor with display

PN-100-SEG14-QFRKG/US/ IV



- 1 alphanumeric display 4-digit red/green
- 2 LEDs Display unit / switching status
- 3 programming button
- 4 upper part of the housing can be rotated 345°
- 5 Sealing



Product characteristics

Output signal	switching signal; IO-Link; (configurable)		
Measuring range	0...100 bar	0...1450 psi	0...10 MPa
Process connection	threaded connection G 1/4 external thread internal thread M5		

Application

Special feature	Gold-plated contacts		
Measuring element	ceramic-capacitive pressure measuring cell		
Application	for industrial applications		
Media	Liquids		
Medium temperature [°C]	-25...80		
Pressure rating	300 bar	4350 psi	30 MPa
Min. bursting pressure	650 bar	9400 psi	65 MPa
Type of pressure	relative pressure		

PN7592



Pressure sensor with display

PN-100-SEG14-QFRKG/US/ IV

Electrical data			
Operating voltage	[V]	18...30 DC; (according to EN 50178 SELV/PELV)	
Current consumption	[mA]	< 35	
Min. insulation resistance	[MΩ]	100; (500 V DC)	
Protection class		III	
Reverse polarity protection		yes	
Power-on delay time	[s]	0.3	
Integrated watchdog		yes	
Inputs / outputs			
Number of inputs and outputs		Number of digital outputs: 2	
Outputs			
Total number of outputs		2	
Output signal		switching signal; IO-Link; (configurable)	
Electrical design		PNP/NPN	
Number of digital outputs		2	
Output function		normally open / normally closed; (parameterisable)	
Max. voltage drop switching output DC	[V]	2.5	
Permanent current rating of switching output DC	[mA]	150; (200 (...60 °C) 250 (...40 °C))	
Switching frequency DC	[Hz]	< 170	
Short-circuit protection		yes	
Type of short-circuit protection		pulsed	
Overload protection		yes	
Measuring/setting range			
Measuring range		0...100 bar	0...1450 psi 0...10 MPa
Set point SP		1...100 bar	10...1450 psi 0.1...10 MPa
Reset point rP		0.5...99.5 bar	5...1445 psi 0.05...9.95 MPa
In steps of		0.5 bar	5 psi 0.05 MPa
Accuracy / deviations			
Switch point accuracy		< ± 0,5	
	[% of the span]		
Repeatability		< ± 0,1; (with temperature fluctuations < 10 K)	
	[% of the span]		
Characteristics deviation		< ± 0,25 (BFSL) / < ± 0,5 (LS); (BFSL = Best Fit Straight Line; LS = limit value setting)	
	[% of the span]		
Hysteresis deviation		< ± 0,25	
	[% of the span]		
Long-term stability		< ± 0,05; (per 6 months)	
	[% of the span]		
Temperature coefficient zero point		< ± 0,2; (-0...80 °C)	
	[% of the span / 10 K]		
Temperature coefficient span		< ± 0,2; (-0...80 °C)	
	[% of the span / 10 K]		

PN7592



Pressure sensor with display

PN-100-SEG14-QFRKG/US/ IV

Response times		
Response time	[ms]	< 3
Delay time programmable dS, dr	[s]	0...50
Software / programming		
Parameter setting options	hysteresis / window; normally open / normally closed; switching logic; switch-on/switch-off delay; Damping; Display unit	
Interfaces		
Communication interface	IO-Link	
Transmission type	COM2 (38,4 kBaud)	
IO-Link revision	1.1	
SDCI standard	IEC 61131-9	
IO-Link device ID	401 d / 00 01 91 h	
Profiles	Smart Sensor: Process Data Variable; Device Identification, Device Diagnosis	
SIO mode	yes	
Required master port type	A	
Process data analogue	1	
Process data binary	2	
Min. process cycle time	[ms]	2.3
Operating conditions		
Ambient temperature	[°C]	-25...80
Storage temperature	[°C]	-40...100
Protection	IP 65; IP 67	
Tests / approvals		
EMC	DIN EN 61000-6-2	
	DIN EN 61000-6-3	
Shock resistance	DIN EN 60068-2-27	50 g (11 ms)
Vibration resistance	DIN EN 60068-2-6	20 g (10...2000 Hz)
MTTF	[years]	260
UL approval	UL Approval no.	J002
Pressure Equipment Directive	Sound engineering practice; can be used for group 2 fluids; group 1 fluids on request	
Mechanical data		
Weight	[g]	297.5
Materials	stainless steel (1.4404 / 316L); PBT+PC-GF30; PBT-GF20; PC	
Materials (wetted parts)	stainless steel (1.4404 / 316L); ceramics; FKM	
Min. pressure cycles	100 million	
Tightening torque	[Nm]	25...35; (recommended tightening torque; depends on lubrication, seal and pressure rating)
Process connection	threaded connection G 1/4 external thread internal threadM5	
Restrictor element integrated	no (can be retrofitted)	
Displays / operating elements		
Display	Display unit	3 x LED, green (bar, psi, MPa)
	switching status	2 x LED, yellow
	measured values	alphanumeric display, red/green 4-digit

PN7592



Pressure sensor with display

PN-100-SEG14-QFRKG/US/ IV

Remarks

Pack quantity

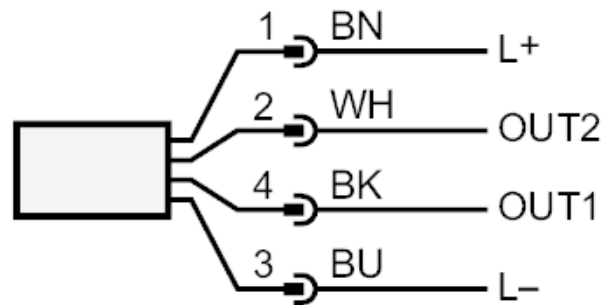
1 pcs.

Electrical connection

Connector: 1 x M12; Contacts: gold-plated



Connection



OUT1 switching output
 IO-Link

OUT2 switching output
 colours to DIN EN 60947-5-2
 Core colours :

BK = black
BN = brown
BU = blue
WH = white