

PB7024

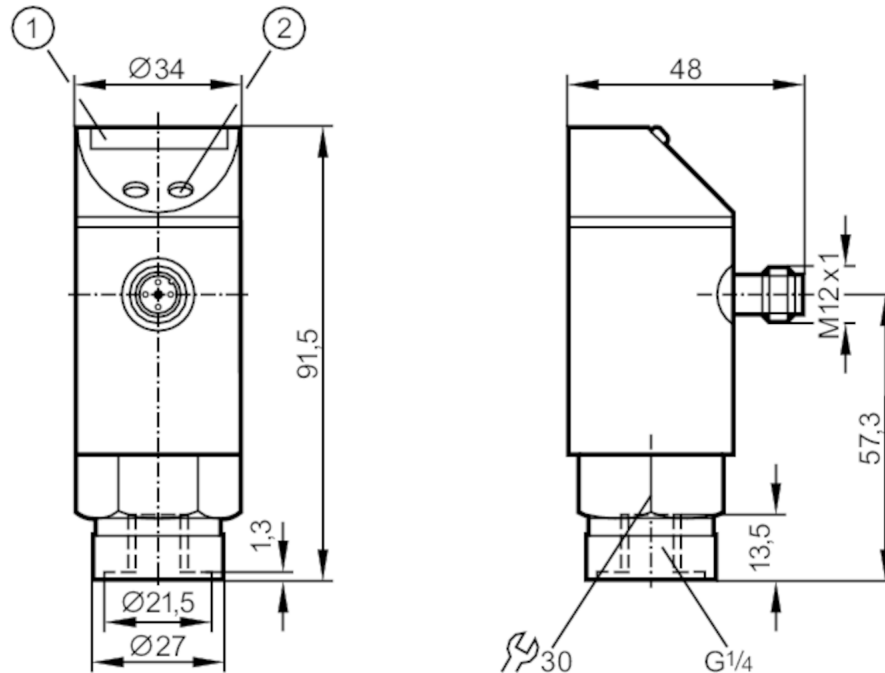


Pressure sensor with LED bar display

PB-010-RBR14-QFPKG/US/ IV

Article no longer available - archive entry

replaced by: PN7004



- 1 LED bar display
2 programming button



Product characteristics

Output signal	switching signal
Measuring range [bar]	0...10
Process connection	threaded connection G 1/4 internal thread

Application

Application	for industrial applications
Media	liquids and gases
Medium temperature [°C]	-25...80
Pressure rating [bar]	50
Min. bursting pressure [bar]	150
Type of pressure	relative pressure

Electrical data

Operating voltage [V]	18...30 DC
Current consumption [mA]	< 50
Min. insulation resistance [MΩ]	100; (500 V DC)
Protection class	III
Reverse polarity protection	yes
Power-on delay time [s]	0.2
Integrated watchdog	yes

PB7024



Pressure sensor with LED bar display

PB-010-RBR14-QFPKG/US/ IV

Inputs / outputs		
Number of inputs and outputs	Number of digital outputs: 2	
Outputs		
Total number of outputs	2	
Output signal	switching signal	
Electrical design	PNP	
Number of digital outputs	2	
Output function	normally open / normally closed; (parameterisable)	
Max. voltage drop switching output DC [V]	2	
Permanent current rating of switching output DC [mA]	250	
Switching frequency DC [Hz]	10	
Short-circuit protection	yes	
Type of short-circuit protection	pulsed	
Overload protection	yes	
Measuring/setting range		
Measuring range [bar]	0...10	
Set point SP [bar]	0.5...10	
In steps of [bar]	0.1	
Hysteresis [bar]	0.2	
Accuracy / deviations		
Switch point accuracy [% of the final value]	< ± 2,0	
Repeatability [% of the final value]	< ± 0,25; (with temperature fluctuations < 10 K)	
Temperature drift per 10 K	< ± 0.3	
Software / programming		
Adjustment of the switch point	programming button	
Operating conditions		
Ambient temperature [°C]	-25...80	
Storage temperature [°C]	-40...100	
Protection	IP 65	
Tests / approvals		
EMC	EN 61000-4-2 ESD	4 kV CD / 8 kV AD
	EN 61000-4-3 HF radiated	10 V/m
	EN 61000-4-4 Burst	2 kV
	EN 61000-4-6 HF conducted	10 V
Shock resistance	DIN IEC 68-2-27	50 g (11 ms)
Vibration resistance	DIN IEC 68-2-6	20 g (10...2000 Hz)

PB7024



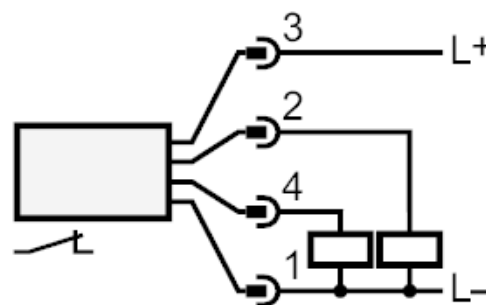
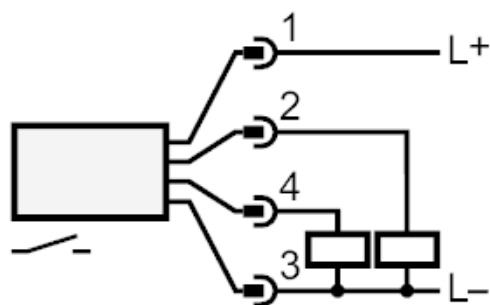
Pressure sensor with LED bar display

PB-010-RBR14-QFPKG/US/ IV

Mechanical data		
Materials	EPDM/X; FKM; NBR; PBT; PC; PTFE; stainless steel (1.4301 / 304)	
Materials (wetted parts)	FKM; ceramics; stainless steel (1.4305 / 303)	
Min. pressure cycles	100 million	
Process connection	threaded connection G 1/4 internal thread	
Displays / operating elements		
Display	switching status	2 x LED, yellow
	measured values	10 x LED, green Resolution 10% of the final value
Remarks		
Pack quantity	1 pcs.	

Electrical connection

Connector: 1 x M12



Article no longer available - archive entry

replaced by: PN7004