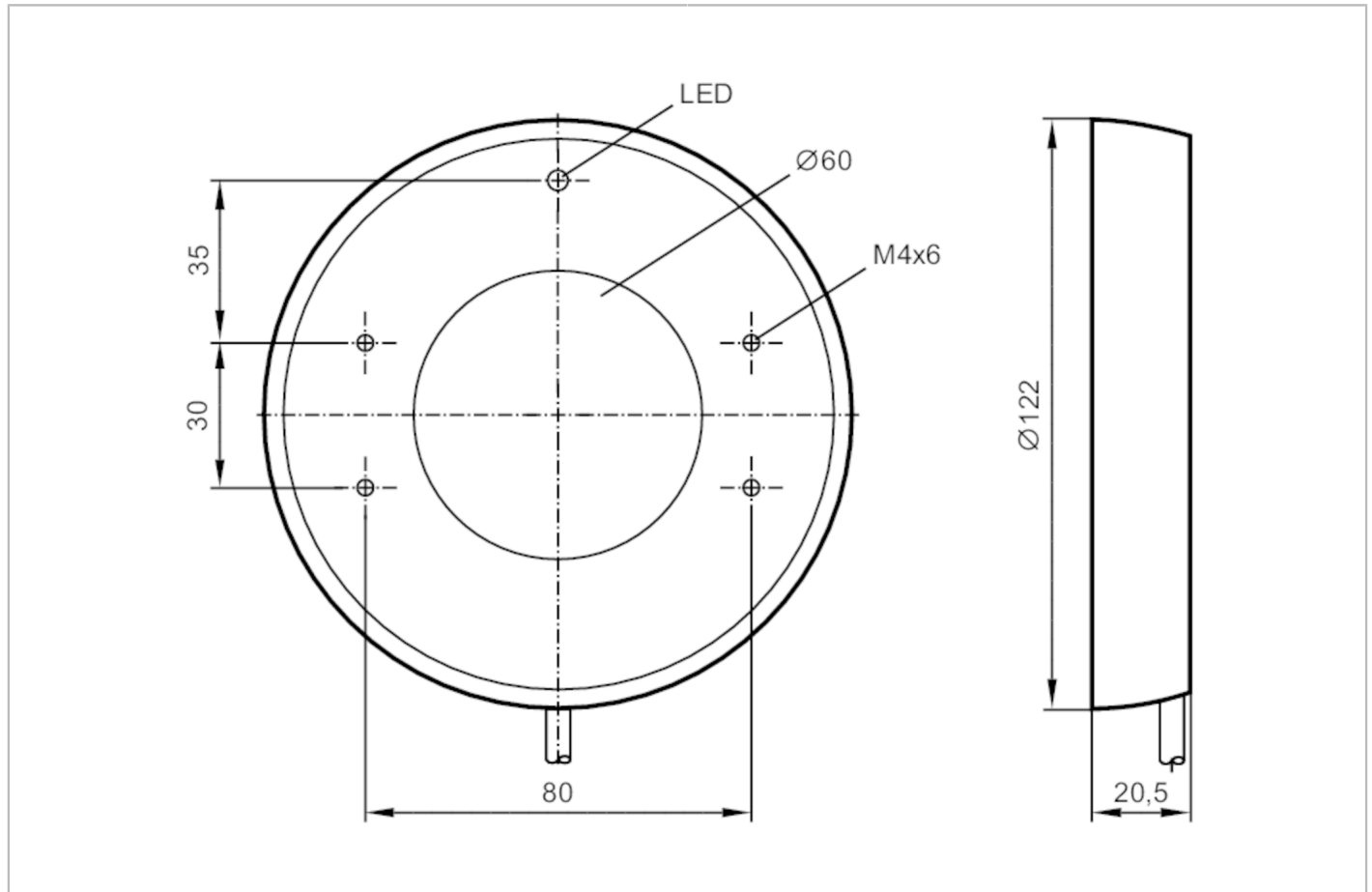


O2D917



External illumination

RINGLIGHT 106x66 IR/0,3M/US



Product characteristics	
Type of light	infrared light
Dimensions [mm]	Ø 122 / L = 20.5
Application	
Illuminated field [mm]	Ø 106 / Ø 66; (external / internal)
Design	ring
Type of operation	high light intensity (pulsed, permanent operation with cooling only); normal light intensity (permanent operation possible)
Electrical data	
Operating voltage [V]	24 DC
Current consumption [mA]	operating mode "permanent operation": 800; operating mode "high light intensity": 1400
Type of light	infrared light
Wave length [nm]	875
Inputs	
Trigger	24 V PNP
Detection zone	
Angle of aperture cylindrical [°]	50

O2D917



External illumination

RINGLIGHT 106x66 IR/0,3M/US

Operating conditions	
Ambient temperature [°C]	-10...55
Storage temperature [°C]	-25...75
Protection	IP 65
Overheat protection	yes; (deactivation at 65...75 °C)

Tests / approvals	
Photobiological safety	risk group 1; (DIN EN 62471:2008; Do not stare into light source.; danger of glare and irritations; Align the device to prevent eye exposure to the light source.)

Mechanical data	
Weight [g]	486
Dimensions [mm]	Ø 122 / L = 20.5
Materials	aluminium black anodised
Lens material	glass

Displays / operating elements		
Display	combined LED	three-colour
	illumination status	yellow
	operation	green
	excess temperature	red

Remarks	
Pack quantity	1 pcs.

Electrical connection

Cable: 0.3 m, PUR, black; 4 x 0.34 mm²

Connector: 1 x M12



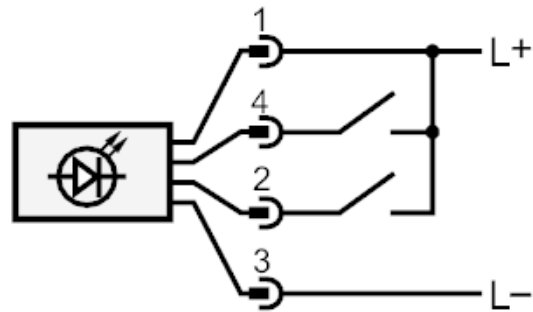
O2D917



External illumination

RINGLIGHT 106x66 IR/0,3M/US

Connection



- 4 trigger
- 2 operating mode "high light intensity"