

# IM5036

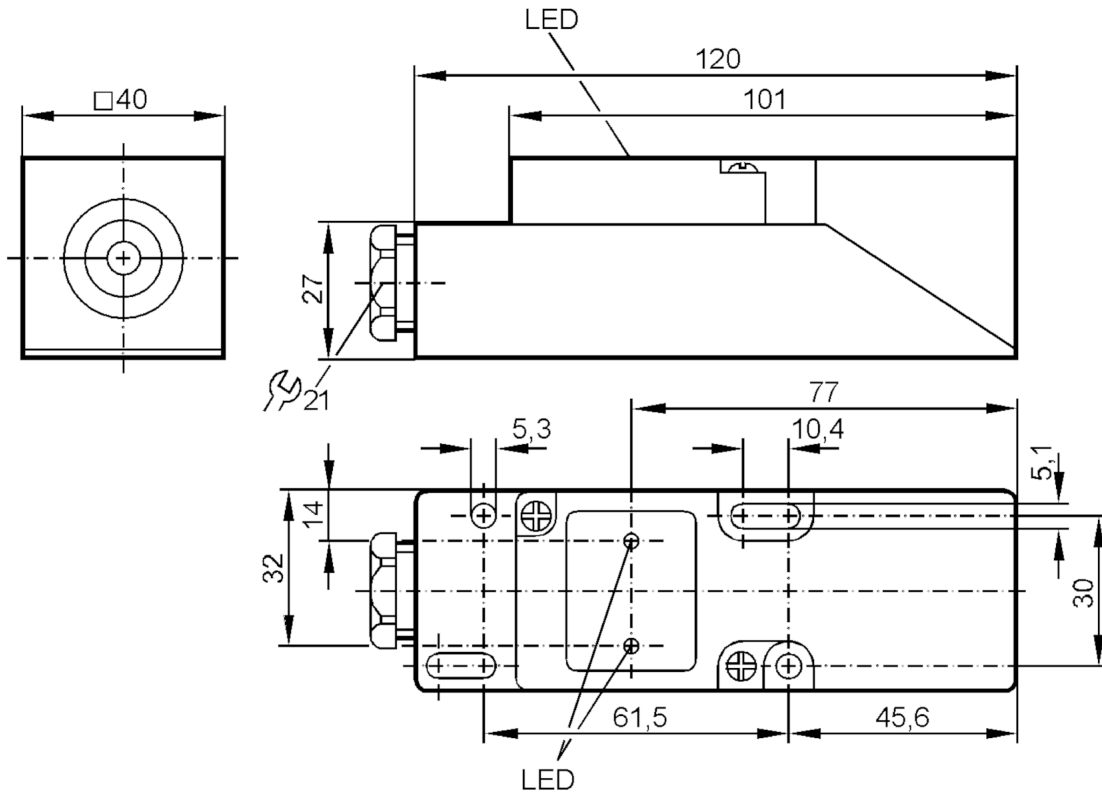


## Inductive sensor

IME3020-FPKG/2LED

Article no longer available - archive entry

Alternative article: IM5019 When selecting an alternative article and accessories please note that technical data may differ! – When selecting an alternative article and accessories please note that technical data may differ!



### Product characteristics

Electrical design		PNP
Output function		normally open / normally closed; (selectable)
Sensing range	[mm]	20
Housing		rectangular
Dimensions	[mm]	40 x 40 x 120

### Electrical data

Operating voltage	[V]	10...36 DC
Current consumption	[mA]	15; (24 V)
Protection class		II
Reverse polarity protection		yes

# IM5036



## Inductive sensor

IME3020-FPKG/2LED

Outputs		
Electrical design		PNP
Output function		normally open / normally closed; (selectable)
Max. voltage drop switching output DC	[V]	2.5
Permanent current rating of switching output DC	[mA]	250
Switching frequency DC	[Hz]	350
Short-circuit protection		yes
Type of short-circuit protection		pulsed
Overload protection		yes
Detection zone		
Sensing range	[mm]	20
Real sensing range $S_r$	[mm]	$20 \pm 10 \%$
Operating distance	[mm]	0...16.2
Accuracy / deviations		
Correction factor		steel: 1 / stainless steel: 0.7 / brass: 0.4 / aluminium: 0.3 / copper: 0.2
Hysteresis	[% of $S_r$ ]	1...15
Switch point drift	[% of $S_r$ ]	-10...10
Operating conditions		
Ambient temperature	[°C]	-25...80
Protection		IP 65
Tests / approvals		
EMC		EN 60947-5-2
Mechanical data		
Housing		rectangular
Mounting		non-flush mountable
Dimensions	[mm]	40 x 40 x 120
Materials		PPE
Displays / operating elements		
Display	switching status	1 x LED, red
	operation	1 x LED, green
Remarks		
Remarks		5 positions of the active zone possible
Pack quantity		1 pcs.

# IM5036



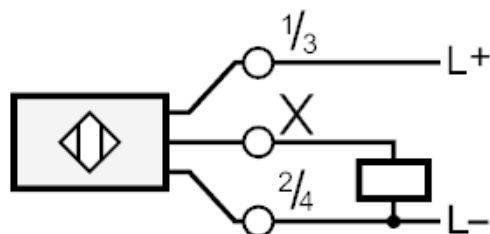
## Inductive sensor

IME3020-FPKG/2LED

### Electrical connection

terminals: ...2.5 mm<sup>2</sup>

### Connection



Article no longer available - archive entry

Alternative article: IM5019 When selecting an alternative article and accessories please note that technical data may differ! – When selecting an alternative article and accessories please note that technical data may differ!