

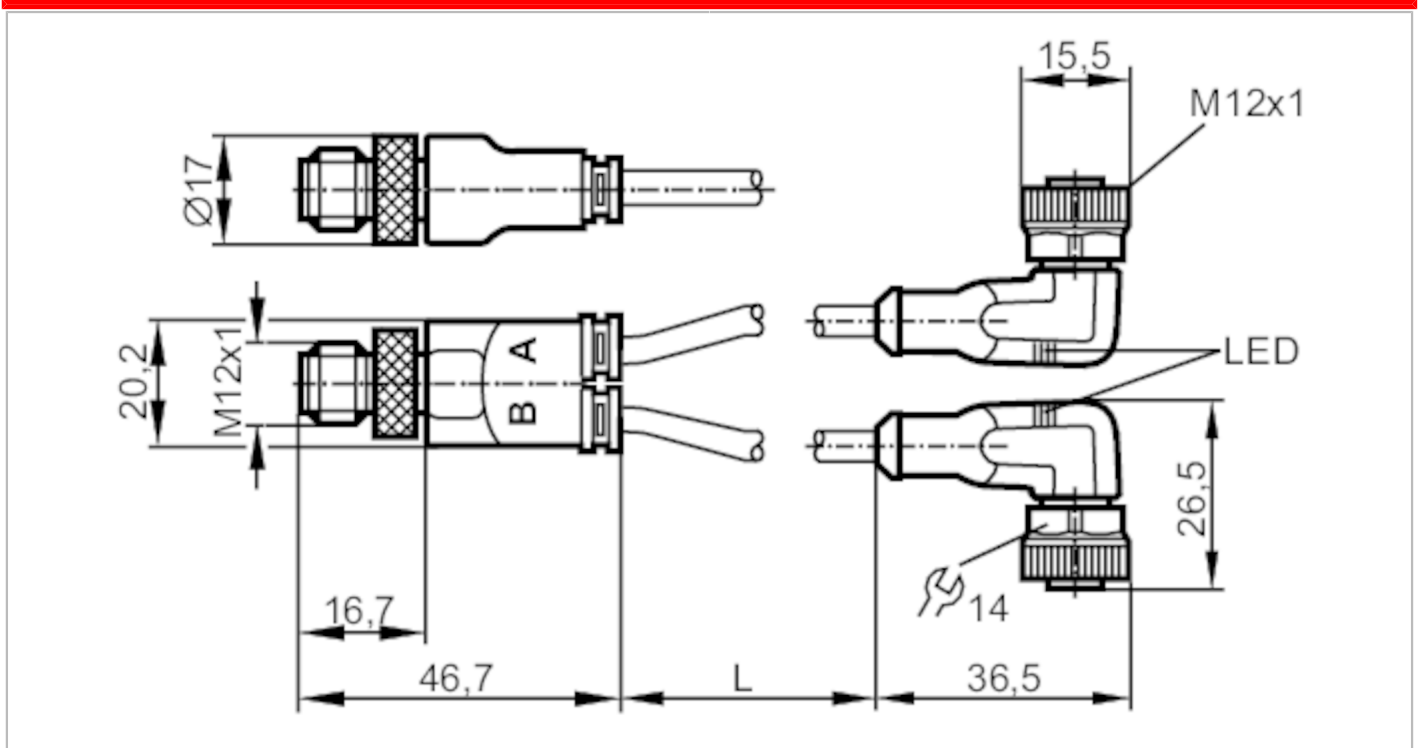
E70064



Y connection cable

YDOAH032MSS01,5H03STGH040MSS

Article no longer available - archive entry



Electrical data		
Operating voltage	[V]	10...30 DC
Max. current load total	[A]	4
Operating conditions		
Ambient temperature	[°C]	-25...90
Protection		IP 67
Mechanical data		
Weight	[g]	132.6
Materials		connector housing: TPU black; socket housing: TPU black transparent; Sealing: FKM
Material nut		brass, nickel-plated / brass, nickel-plated
Number of ports splitter box		2
Displays / operating elements		
Display	switching status	1 x LED, yellow
	operation	1 x LED, green
Remarks		
Pack quantity		1 pcs.

Electrical connection
 Cable: 1.5 m, PUR, black, Ø 4.9 mm; 3 x 0.34 mm² (42 x Ø 0.1 mm)

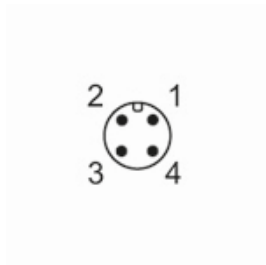
Electrical connection - plug
 Connector: 2 x M12; Locking: brass, nickel-plated; Tightening torque: 0.6...1.5 Nm

E70064

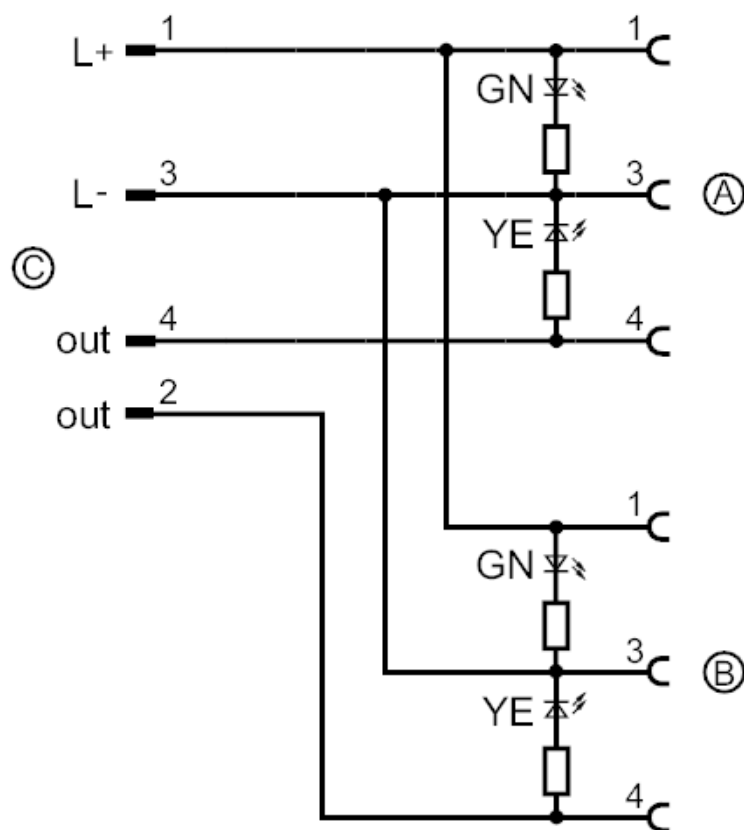


Y connection cable

YDOAH032MSS01,5H03STGH040MSS

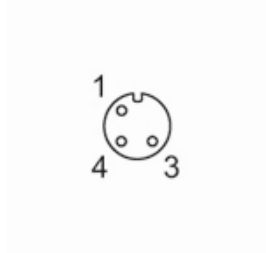


Connection



Electrical connection - socket

Connector: 2 x M12; Locking: brass, nickel-plated; Tightening torque: 0.6...1.5 Nm



Article no longer available - archive entry