

# E60202

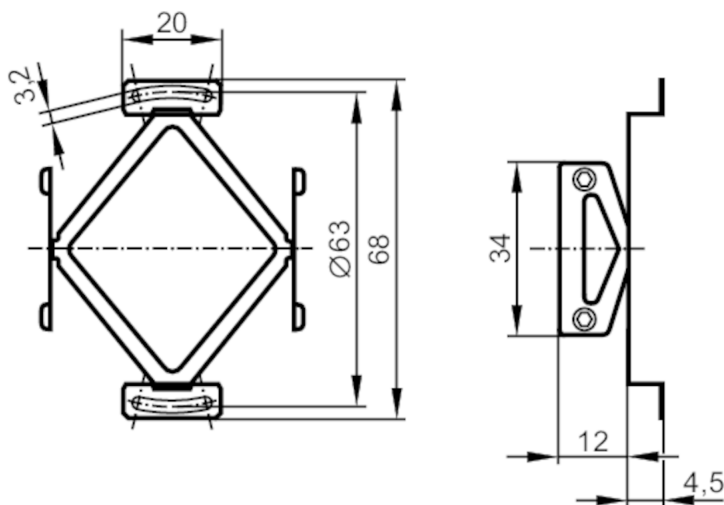


## Stator coupling for encoders

Stator coupling RO 4 holes

discontinued article

Discontinuation date: 31.03.2016



### Mechanical data

Weight	[g]	15.6
Materials		metal

### Remarks

Notes	discontinued article
Pack quantity	1 pcs.

discontinued article

Discontinuation date: 31.03.2016