

# E11502



## Connecting cable with socket

ADOAF032VAS0010E03

Article no longer available - archive entry



Application		
Special feature	Free from silicone; Gold-plated contacts	
Free from silicone	yes	
Electrical data		
Operating voltage [V]	10...30 DC	
Protection class	III	
Outputs		
Electrical design	PNP	
Operating conditions		
Ambient temperature [°C]	-25...85	
Protection	IP 68	
Mechanical data		
Dimensions [mm]	18 x 10 x 28	
Materials	PVC	
Material nut	stainless steel (1.4404 / 316L)	
Displays / operating elements		
Display	switching status	1 x LED, yellow
	operation	1 x LED, green
Remarks		
Pack quantity	1 pcs.	

# E11502



## Connecting cable with socket

ADOAF032VAS0010E03

### Electrical connection

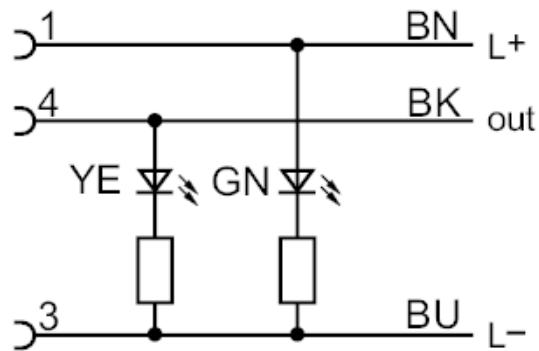
Cable: 10 m, PVC, orange, Ø 5 mm; 3 x 0.25 mm<sup>2</sup> (32 x 0.1 mm )

### Electrical connection - socket

Connector: 1 x M8, angled; Moulded body: PVC; Locking: stainless steel (1.4404 / 316L); Contacts: gold-plated; Tightening torque: 0.6...0.7 Nm



### Connection



Core colours :

BK = black  
BN = brown  
BU = blue

Article no longer available - archive entry