

E10718

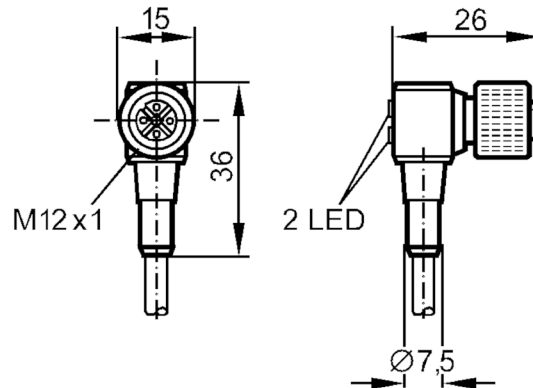


Connecting cable with socket

ADOAH042VAS0005A04

Article no longer available - archive entry

Alternative article: EVC008 When selecting an alternative article and accessories please note that technical data may differ! – When selecting an alternative article and accessories please note that technical data may differ!



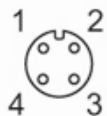
Electrical data		
Operating voltage	[V] 10...30 DC	
Outputs		
Electrical design	PNP	
Operating conditions		
Ambient temperature	[°C] -25...90	
Protection	IP 68	
Mechanical data		
Dimensions	[mm] 36 x 15 x 26	
Materials	PUR	
Material nut	stainless steel (1.4305 / 303)	
Displays / operating elements		
Display	switching status	1 x LED, yellow
	operation	1 x LED, green
Remarks		
Pack quantity	1 pcs.	
Electrical connection		
Cable: 5 m, PUR / PVC, black, Ø 4.5 mm; 4 x 0.34 mm ² (182 x Ø 0.05 mm)		
Electrical connection - socket		
Connector: 1 x M12, angled; Moulded body: PUR; Locking: stainless steel (1.4305 / 303)		

E10718

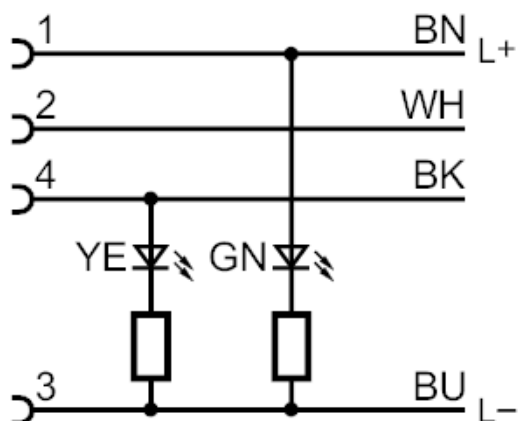


Connecting cable with socket

ADOAH042VAS0005A04



Connection



Core colours :

BK =	black
BN =	brown
BU =	blue
WH =	white

Article no longer available - archive entry

Alternative article: EVC008 When selecting an alternative article and accessories please note that technical data may differ! – When selecting an alternative article and accessories please note that technical data may differ!