

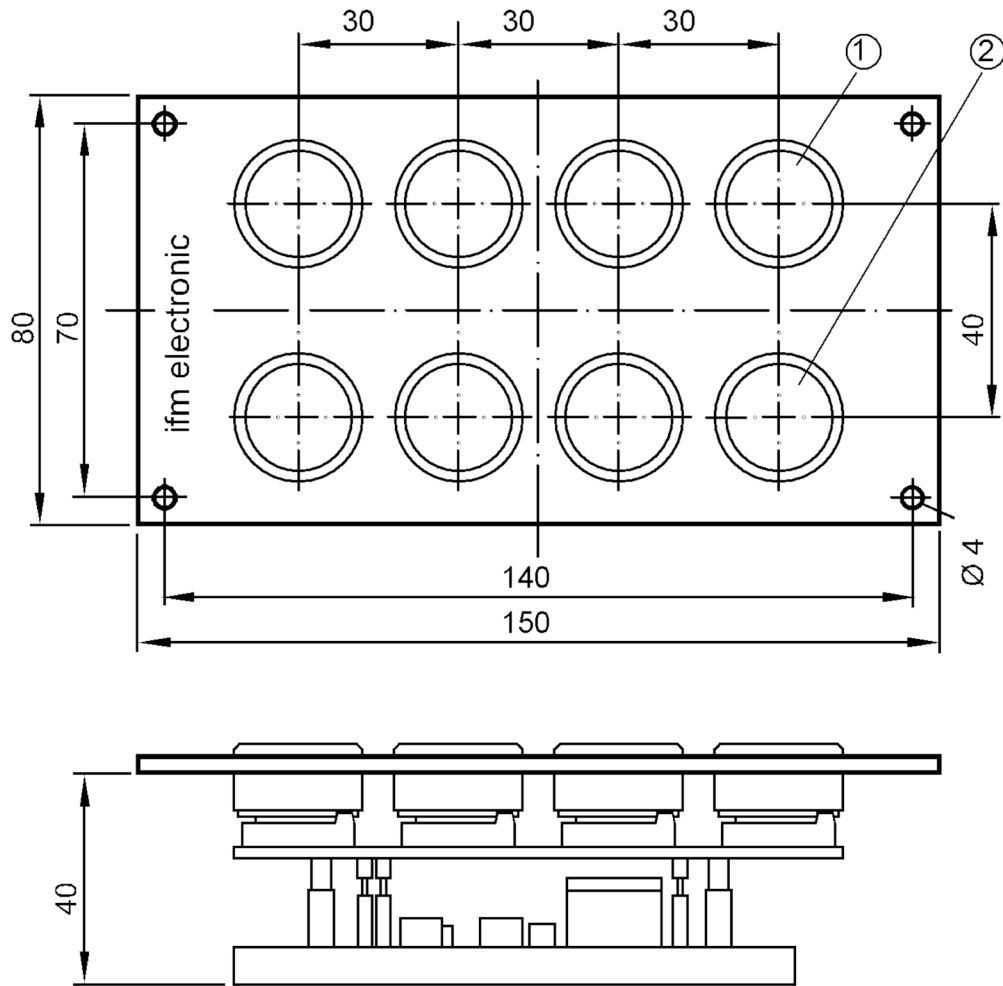
# AC2351



## AS-Interface illuminated pushbutton module

Push-button modul 8I/8O

Article no longer available - archive entry



- 1 green
- 2 red



### Electrical data

Operating voltage	[V]	26.5...31.6 DC
Current consumption	[mA]	< 150
Reverse polarity protection		yes

### Outputs

Electrical design	AS-i
-------------------	------

### Operating conditions

Ambient temperature	[°C]	0...60
Protection		IP 00

### Tests / approvals

EMC	EN 50295
-----	----------

# AC2351



## AS-Interface illuminated pushbutton module

Push-button modul 8I/8O

AS-i classification	
AS-i profile	S-7.F
AS-i I/O configuration [hex]	7
AS-i ID code [hex]	F
AS-i certificate	14401
Mechanical data	
Materials	front panel: aluminium
Accessories	
Accessories (optional)	Cover removal tool, E70206
Remarks	
Remarks	The pushbuttons (EAO type 84) provide protection against accidental contact. Housing and pushbuttons can be labelled.
Pack quantity	1 pcs.
Electrical connection	
COMBICON:	

Article no longer available - archive entry