

AC2026

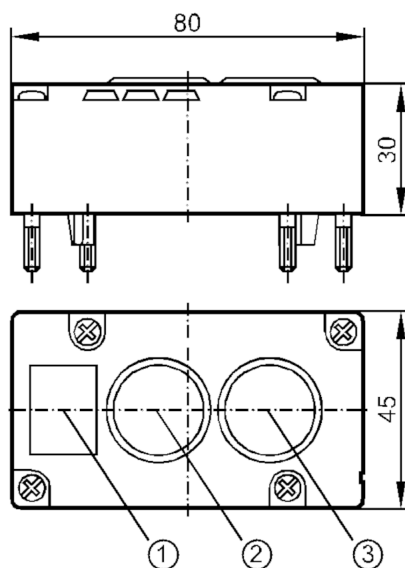


AS-Interface illuminated pushbutton module

EMS Module 2BI 2LO

Article no longer available - archive entry

replaced by: AC2086 – Discontinuation date: 31.03.2015



- 1 panel for labelling
- 2 pushbutton / LED
- 3 pushbutton / LED



Electrical data

Operating voltage	[V]	26.5...31.6 DC
Max. current consumption from AS-i	[mA]	55

Inputs

Sensor supply of the inputs	AS-i
-----------------------------	------

Operating conditions

Ambient temperature	[°C]	-25...60
Protection		IP 67

Tests / approvals

EMC	EN 50295	
MTTF	[years]	1661



AS-Interface illuminated pushbutton module

EMS Module 2BI 2LO

AS-i classification					
AS-i version	2.1				
Extended addressing mode possible	no				
AS-i profile	S-3.F.F				
AS-i I/O configuration [hex]	3				
AS-i ID code [hex]	F.F				
AS-i certificate	04801				
Assignment of the data bits	data bit	D0	D1	D2	D3
	pushbutton	2	1	-	-
	LED	-	-	2	1
Mechanical data					
Weight [g]	100.6				
Type of mounting	AS-i interface to FC and SC lower parts				
Materials	PBT				
Displays / operating elements					
Display	pushbutton		2 x LED, white		
Accessories					
Accessories (supplied)	cover support: 2				
	colour inserts: 2, red				
	2, green				
	2, yellow				
	2, blue				
2, white					
Remarks					
Remarks	The pushbuttons (EAO type 84) provide protection against accidental contact. Housing and pushbuttons can be labelled.				
Notes	discontinued article				
Pack quantity	1 pcs.				
Electrical connection					
contact pins to module lower part, FK / PG:					

Article no longer available - archive entry

replaced by: AC2086 – Discontinuation date: 31.03.2015