

TK6130

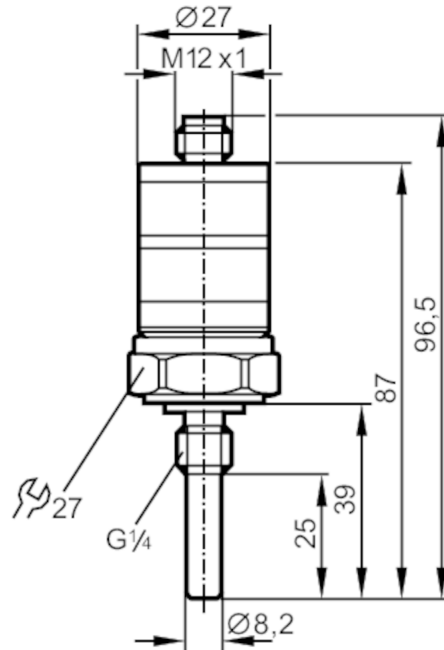


Temperature switch with intuitive switch point setting

TK-025CLFR14-QKPKG / US

discontinued article

replaced by: TK6110; discontinued article – Discontinuation date: 31.03.2018



Product characteristics

Number of inputs and outputs	Number of digital outputs: 2	
Measuring range	-25...140 °C	-13...284 °F
Process connection	threaded connection G 1/4 external thread	
Installation length EL [mm]	39	

Application

Special feature	Gold-plated contacts	
Measuring element	1 x Pt 1000; (to DIN EN 60751, class B)	
Media	liquids and gases	
Medium temperature [°C]	-25...125; (145 max. 1 h)	
Pressure rating [bar]	300	
Minimum installation depth [mm]	15	

Electrical data

Operating voltage [V]	9.6...32 DC; (operating voltage "supply class 2" according to cULus)	
Current consumption [mA]	< 30	
Protection class	III	
Reverse polarity protection	yes	
Power-on delay time [s]	0.5	

Inputs / outputs

Number of inputs and outputs	Number of digital outputs: 2	
------------------------------	------------------------------	--



Temperature switch with intuitive switch point setting

TK-025CLFR14-QKPKG / US

Outputs			
Total number of outputs		2	
Output signal		switching signal	
Electrical design		PNP	
Number of digital outputs		2	
Output function		complementary	
Max. voltage drop switching output DC	[V]	2	
Permanent current rating of switching output DC	[mA]	500	
Short-circuit protection		yes	
Type of short-circuit protection		pulsed	
Overload protection		yes	
Measuring/setting range			
Probe length L	[mm]	25	
Measuring range		-25...140 °C	-13...284 °F
Set point SP		-16...140 °C	3...284 °F
Reset point rP		-20...136 °C	-4...277 °F
Accuracy / deviations			
Temperature drift per 10 K	[K]	0.1	
Repeatability	[K]	± 0,1	
Setting accuracy	[K]	± 3	
Response times			
Dynamic response T05 / T09	[s]	1 / 3; (to DIN EN 60751)	
Software / programming			
Adjustment of the switch point		setting rings	
Operating conditions			
Ambient temperature	[°C]	-25...70	
Storage temperature	[°C]	-40...100	
Protection		IP 67	
Tests / approvals			
EMC		DIN EN 61000-4-2 ESD	4 kV CD / 8 kV AD
		EN 61000-4-3 HF radiated	10 V/m
		DIN EN 61000-4-4 Burst	2 kV
		EN 61000-4-6 HF conducted	10 V
Shock resistance		DIN IEC 68-2-27	50 g (11 ms)
Vibration resistance		DIN EN 60068-2-6	20 g (10...2000 Hz)
MTTF	[years]	684	

TK6130



Temperature switch with intuitive switch point setting

TK-025CLFR14-QKPKG / US

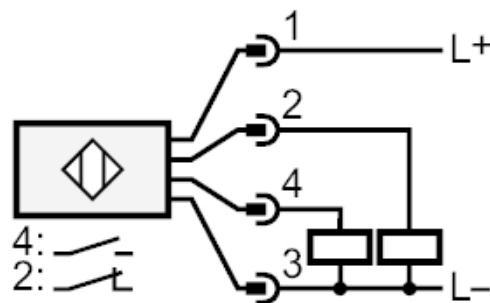
Mechanical data		
Weight [g]	102.5	
Materials	stainless steel (1.4404 / 316L); PC; PBT; FKM	
Materials (wetted parts)	stainless steel (1.4404 / 316L); FKM	
Process connection	threaded connection G 1/4 external thread	
Installation length EL [mm]	39	
Displays / operating elements		
Display	operation	LED, green
	switching status	LED, yellow
With scale	yes	
Remarks		
Remarks	The values for accuracy apply to flowing water.	
Notes	discontinued article	
Pack quantity	1 pcs.	

Electrical connection

Connector: 1 x M12; Contacts: gold-plated



Connection



discontinued article

replaced by: TK6110; discontinued article – Discontinuation date: 31.03.2018