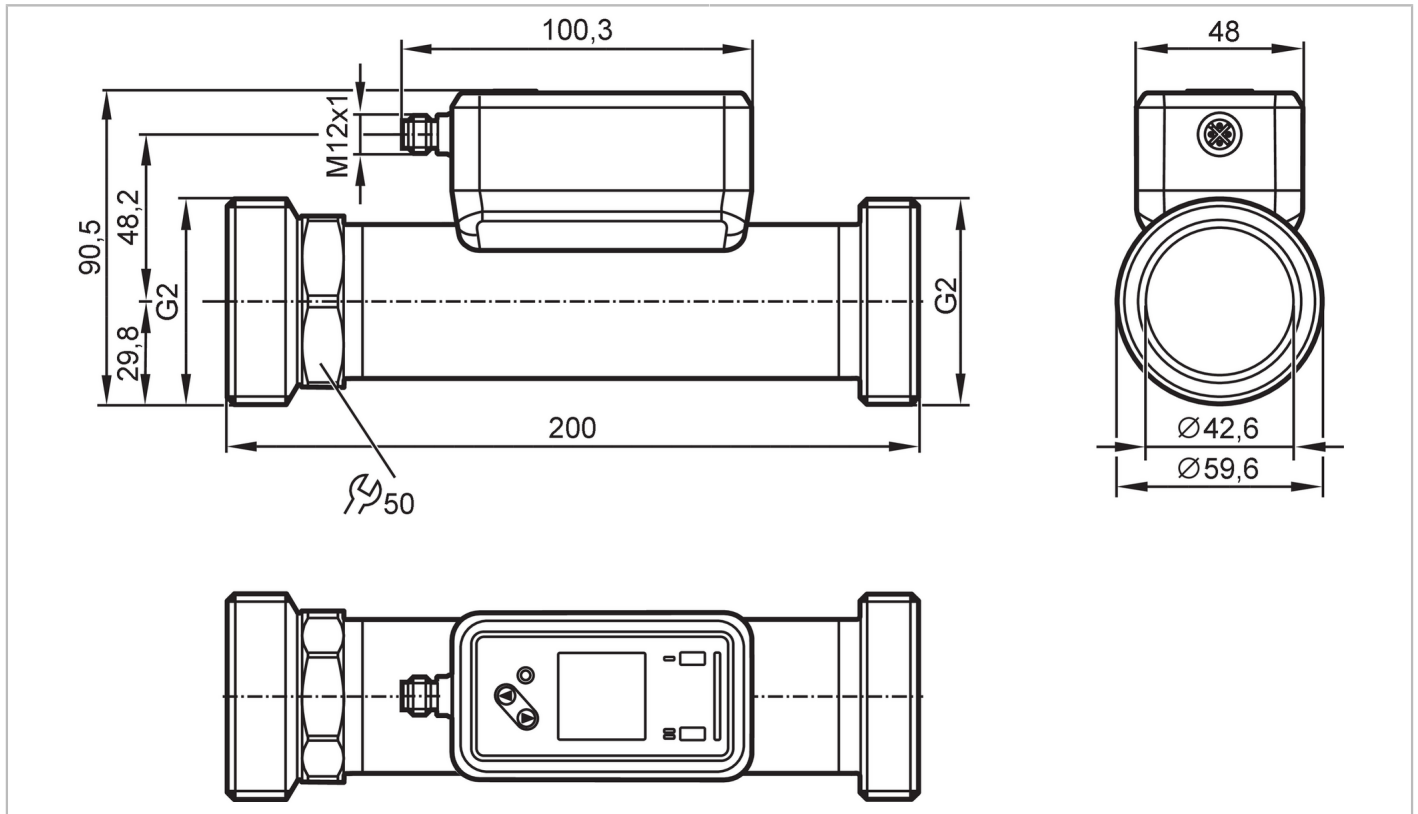


SU2031



Ultrasonic flow meter

SUR21XFBFRKG/US



ACS KTW/W270 Reg31

Product characteristics	
Measuring range	5...1000 l/min 0.3...60 m³/h 79...15850 gph 1.32...264.18 gpm
Process connection	threaded connection G 2 external thread DN50
Application	
Special feature	Gold-plated contacts
Media	ultra-pure water; water; hydrous media; glycol solutions; oils; coolants
Note on media	hydrous media: for media with >10 % additives, the repeatability is the only available value low-viscosity oils with viscosity: 7...40 mm²/s (40 °C) high-viscosity oils with viscosity: 30...68 mm²/s (40 °C)
Medium temperature	-20...100 °C -4...212 °F
Min. burst pressure	150 bar 15 MPa
Pressure rating	100 bar 10 MPa
Vacuum resistance [mbar]	-1000
Electrical data	
Operating voltage [V]	18...32 DC; (to SELV/PELV)
Current consumption [mA]	< 75
Protection class	III
Reverse polarity protection	yes
Power-on delay time [s]	5
Measuring principle	ultrasonic
Inputs	
Inputs	counter reset



Ultrasonic flow meter

SUR21XFBFRKG/US

Outputs				
Total number of outputs	2			
Output signal	switching signal; pulse signal; analogue signal; IO-Link; frequency signal; diagnostic signal; totaliser switching signal			
Electrical design	PNP/NPN			
Output function	normally open / normally closed; (parameterisable)			
Max. voltage drop switching output DC [V]	2			
Permanent current rating of switching output DC [mA]	100			
Switching frequency DC [Hz]	0...10000			
Analogue current output [mA]	4...20			
Max. load [Ω]	500			
Pulse output	flow rate meter			
Short-circuit protection	yes			
Type of short-circuit protection	pulsed			
Overload protection	yes			
Measuring/setting range				
Measuring range	5...1000 l/min	0.3...60 m³/h	79...15850 gph	1.32...264.18 gpm
Display range	-1200...1200 l/min	-72...72 m³/h	-19020...19020 gph	-317...317 gpm
Resolution	0.1 l/min	0.001 m³/h	1 gph	0.01 gpm
Set point SP	10.5...1000 l/min	0.63...60 m³/h	166...15850 gph	2.77...264.17 gpm
Reset point rP	5.3...994.8 l/min	0.318...59.688 m³/h	84...15768 gph	1.4...262.8 gpm
Analogue start point ASP	-1000...800 l/min	-60...48000 m³/h	-15850...12680 gph	-264.17...211.34 gpm
Analogue end point AEP	-800...1000 l/min	-48...60 m³/h	-12680...15850 gph	-211.34...264.17 gpm
Low flow cut-off LFC	5...50 l/min	0.3...3 m³/h	79...793 gph	1.32...13.21 gpm
Frequency end point, FEP	200.6...1000 l/min	12.037...60 m³/h	3180...15850 gph	53...264.17 gpm
Frequency at the end point FRP [Hz]	1...10000			
Volumetric flow quantity monitoring				
Pulse length [s]	0.002...2			
Pulse value	0.1...99990000 l; 0.026...26414563.515 gal			
Temperature monitoring				
Measuring range	-20...100 °C		-4...212 °F	
Display range	-44...124 °C		-47.2...255.2 °F	
Resolution	0.1 °C		0.1 °F	
Set point SP	-19.6...100 °C		-3.2...212 °F	
Reset point rP	-20...99.6 °C		-4...211.2 °F	
Analogue start point	-20...76 °C		-4...168.8 °F	
Analogue end point	4...100 °C		39.2...212 °F	
Frequency start point, FSP	-20...76 °C		4...168.8 °F	
Frequency end point, FEP	4...100 °C		39.2...212 °F	
Frequency at the end point FRP [Hz]	1...10000			



Ultrasonic flow meter

SUR21XFBFRKG/US


Accuracy / deviations		
Flow monitoring		
Accuracy (in the measuring range)	glycol solutions (35%)	±(5,0 % MW + 0,5 % MEW)
	high-viscosity oils with viscosity 46mm ² /s (40°C)	±(5,0 % MW + 0,5 % MEW)
	low-viscosity oils with viscosity 10mm ² /s (40°C)	±(5,0 % MW + 0,5 % MEW)
	water	± (1,0 % MW + 0,5 % MEW)
Repeatability	± 0,2 % MEW	
Temperature monitoring		
Accuracy [K]	± 2,5 (Q > 5 % MEW)	
Temperature coefficient [% of the span / 10 K]	0,2	
Response times		
Flow monitoring		
Response time [s]	< 0.25; (dAP = 0, T09)	
Damping process value dAP [s]	0...5	
Temperature monitoring		
Dynamic response T05 / T09 [s]	5,7 / 86	
Software / programming		
Diagnostic functions	direction of flow detection; signal quality	
Interfaces		
Communication interface	IO-Link	
Transmission type	COM2 (38,4 kBaud)	
IO-Link revision	1.1.3	
SDCI standard	IEC 61131-9: 2013-07	
Profiles	BLOB	Binary Large Object transfer
	Common - I&D	Identification and Diagnosis
Required master port type	A	
Process data analogue	3	
Process data binary	2	
Min. process cycle time [ms]	9.6	
IO-Link process data (cyclical)	function	bit length
	totaliser	32
	Flow monitoring	32
	Temperature monitoring	32
	status	4
	Output 1	1
	Output 2	1
	Supported DeviceIDs	Type of operation default
Operating conditions		
Ambient temperature [°C]	-20...60	
Storage temperature [°C]	-25...80	
Protection	IP 65; IP 67	

SU2031



Ultrasonic flow meter

SUR21XFBFRKG/US

Tests / approvals		
EMC	DIN 61326-1:2021	
Shock resistance	DIN IEC 68-2-27	20 g (11ms)
Vibration resistance	DIN IEC 68-2-6	20 g (10...2000Hz)
MTTF [years]		160
UL approval	UL approval no.	I033
Pressure Equipment Directive	can be used for group 2 fluids; group 1 fluids on request	
Mechanical data		
Weight [g]	1140.6	
Housing	rectangular	
Type of mounting	inlet pipe length 5xDN; outlet pipe length 1xDN	
Dimensions [mm]	200 x 59.6 x 90.5	
Materials	housing: stainless steel (316L/1.4404); Display: PFA; Sealing Display: FKM; connector: PBT	
Materials (wetted parts)	Pipe section: stainless steel (316L/1.4404); Process connection sealing: NBR reinforced fibre Flat seal	
Process connection	threaded connection G 2 external thread DN50	
Surface characteristics Ra/Rz of the wetted parts	Ra < 1.25 µm	
Displays / operating elements		
Display		colour display 1,44", 128 x 128 pixels
	Switching function	2 x LED, yellow
	diagnosis	1 x LED, three-colour
Display unit	l/min; l/h; m³/h; m/s; gpm; gph; ft/s; oz/min	
Accessories		
Items supplied	Flat seal 2, Centellen package insert	
Remarks		
Remarks	MW = measured value	
	MEW = Final value of the measuring range	
	pulse and totaliser signal are only available for one of the two outputs	
	the accuracy indications are adhered to over the entire application area	
Pack quantity	1 pcs.	
Electrical connection		
Connector: 1 x M12; coding: A; Contacts: gold-plated		
		

SU2031



Ultrasonic flow meter

SUR21XFBFRKG/US

Connection



OUT1/IO-Link: switching output volumetric flow quantity monitoring
switching output Temperature monitoring
Pulse output quantity meter
frequency output volumetric flow quantity monitoring
frequency output Temperature monitoring
signal output Preset counter

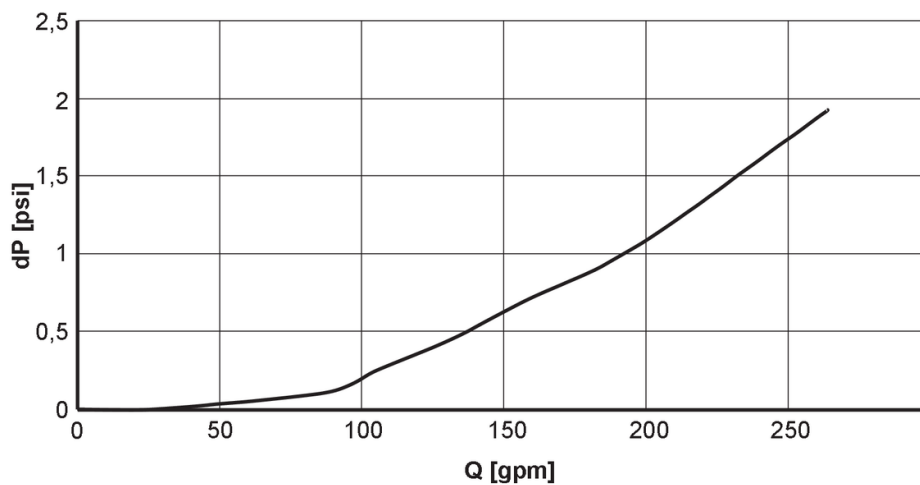
OUT2/InD: switching output volumetric flow quantity monitoring
switching output Temperature monitoring
Pulse output quantity meter
analogue output flow
analogue output temperature
signal output Preset counter
input counter reset

colours to DIN EN
60947-5-2

Core colours BK= black
 BN= brown
 BU= blue
 WH= white

Diagrams and graphs

Note on pressure loss



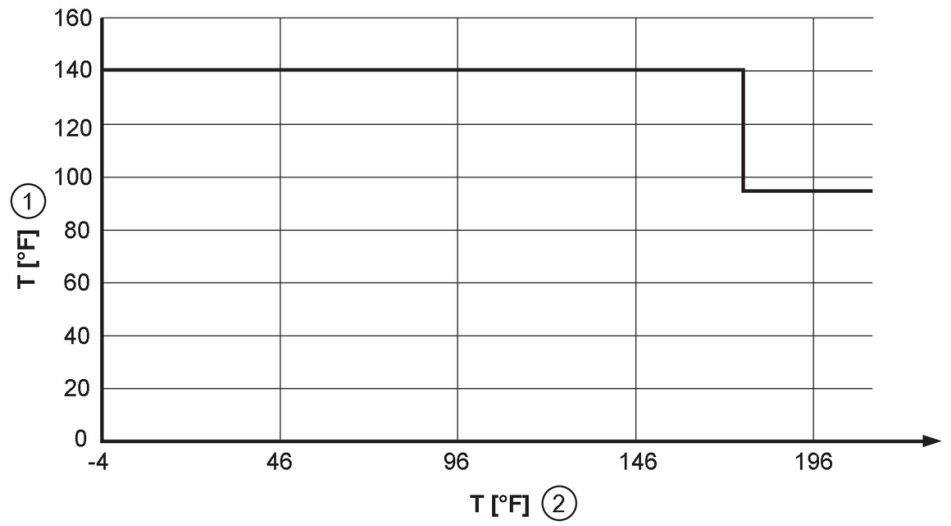
SU2031

Ultrasonic flow meter

SUR21XFBFRKG/US



derating ambient temperature



- 1 Ambient temperature
- 2 Medium temperature