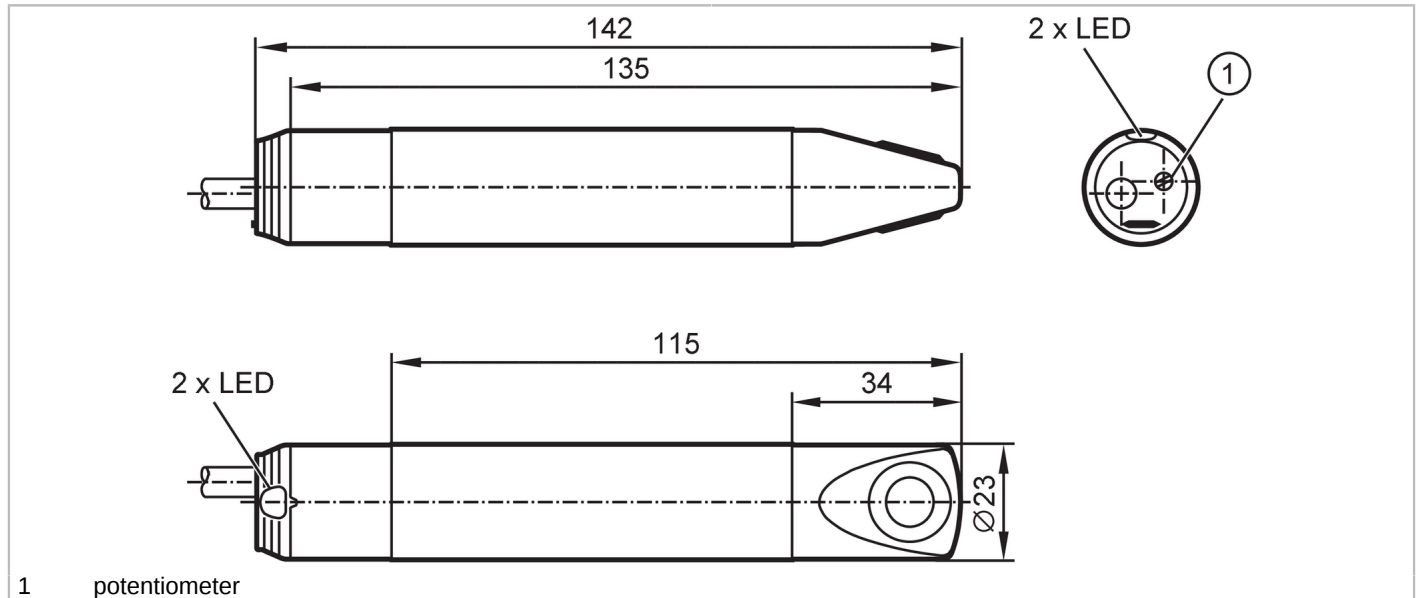


SL5101



Airflow monitor

SLG23CEEAKOG/24VDC



1 potentiometer



Product characteristics	
Number of inputs and outputs	Number of relay outputs: 1
Process connection	clamp adapter Ø 23 mm
Application	
Medium temperature [°C]	-10...50
Pressure rating	1 bar 0.1 MPa
Electrical data	
Operating voltage [V]	18...30 DC
Current consumption [mA]	50
Min. insulation resistance [MΩ]	100; (500 V DC)
Power-on delay time [s]	60
Inputs / outputs	
Number of inputs and outputs	Number of relay outputs: 1
Outputs	
Output signal	switching signal
Number of relay outputs	1
Contact rating	3 A (30 V DC / 250 V AC // cULus: 30 V DC / AC)
Switching function flow monitoring	relay energised when flow is present
Measuring/setting range	
Gases	
Setting range [cm/s]	100...1000
Greatest sensitivity [cm/s]	100...400
Accuracy / deviations	
Temperature gradient [K/min]	5

SL5101



Airflow monitor

SLG23CEEAKOG/24VDC

Response times		
Response time	[s]	3...60
Gases		
Response time	[s]	3...60
Software / programming		
Adjustment of the switch point		potentiometer
Operating conditions		
Ambient temperature	[°C]	-10...50
Storage temperature	[°C]	-25...85
Max. relative air humidity	[%]	90
Protection		IP 65
Tests / approvals		
MTTF	[years]	1202
UL approval	UL approval no.	I029
	File number UL	E174189
Mechanical data		
Weight	[g]	192.5
Housing		cylindrical
Dimensions	[mm]	Ø 23 / L = 142
Materials		housing: PBT; sensor surface: titanium
Materials (wetted parts)		PBT; titanium
Process connection		clamp adapter Ø 23 mm
Displays / operating elements		
Display	function	1 x LED, red
	function	1 x LED, green
Accessories		
Items supplied		Mounting clamp: 1, E40048
Remarks		
Pack quantity		1 pcs.

SL5101



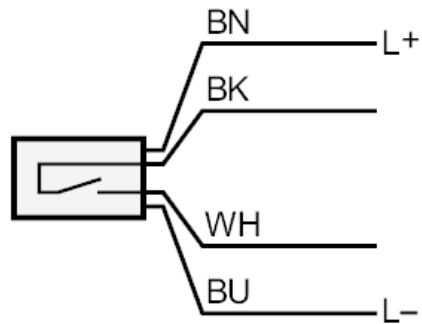
Airflow monitor

SLG23CEEAKOG/24VDC

Electrical connection

Cable: 2 m, PUR; 4 x 0.5 mm², PVC

Connection



	Core colours :
BN =	brown
BU =	blue
BK =	black
WH =	white