

SF3210

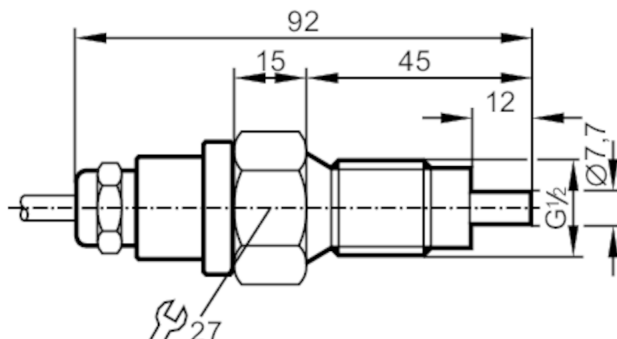


Flow sensor for connection to an evaluation unit

SFR12ABBE0

Article no longer available - archive entry

replaced by: SF311A



Product characteristics

Process connection G 1/2 external thread

Application

Application Ex zone 0
 Medium temperature [°C] -20...60
 Pressure rating [bar] 300

Liquids

Application Ex zone 0
 Medium temperature [°C] -20...60

Gases

Medium temperature [°C] -20...60

Electrical data

Connection to control monitor VS 0200 Exi

Measuring/setting range

Liquids

Setting range [cm/s] 3...300
 Greatest sensitivity [cm/s] 3...60

Gases

Setting range [cm/s] 200...2000
 Greatest sensitivity [cm/s] 200...800

Accuracy / deviations

Temperature gradient [K/min] 15

Response times

Response time [s] 1...10

Liquids

Response time [s] 1...10

Gases

Response time [s] 1...10

Operating conditions

Protection IP 67

SF3210



Flow sensor for connection to an evaluation unit

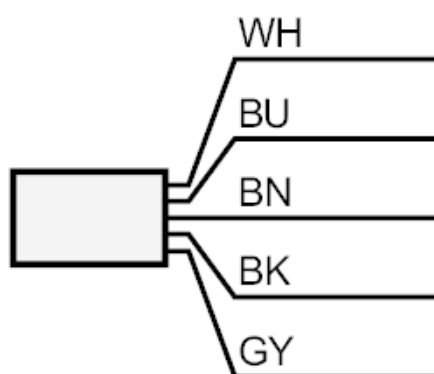
SFR12ABBE0

| Mechanical data | |
|--------------------------|--------------------------------|
| Housing | threaded type |
| Materials | stainless steel (1.4571/316Ti) |
| Materials (wetted parts) | stainless steel (1.4571/316Ti) |
| Process connection | G 1/2 external thread |

| Remarks | |
|---------------|--------|
| Pack quantity | 1 pcs. |

| Electrical connection | |
|--|--|
| Cable: 2 m, TPE-S; Maximum cable length: 100 m; 5 x 0.34 mm ² | |

Connection



| | |
|------|----------------|
| | Core colours : |
| BN = | brown |
| BU = | blue |
| BK = | black |
| WH = | white |
| GY = | grey |

Article no longer available - archive entry

replaced by: SF311A