

SBU325

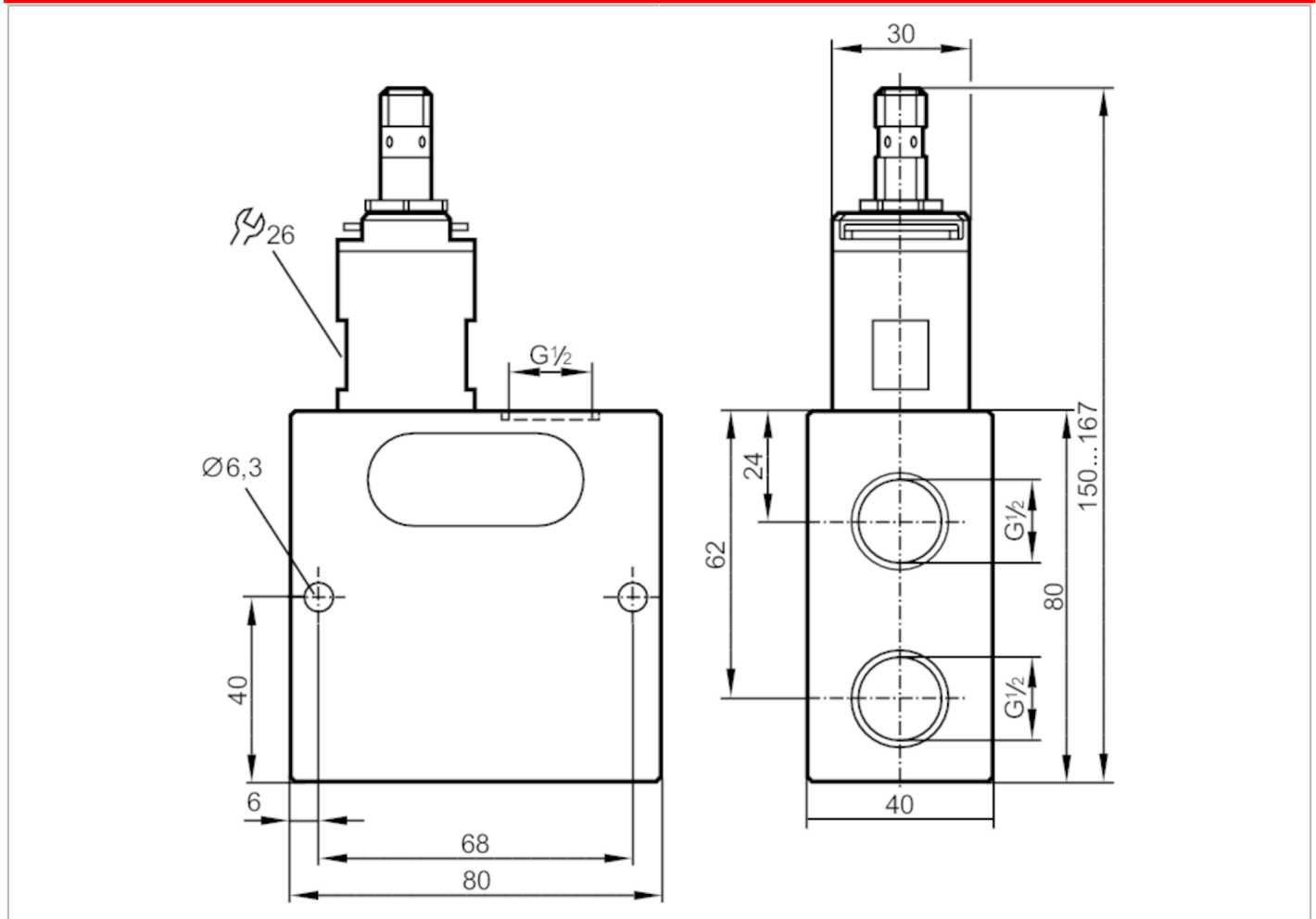


Flow sensor with integrated backflow prevention

SBU12DI0BPKG/US

discontinued article

Discontinuation date: 31.03.2016



Product characteristics

| | |
|------------------------------|------------------------------|
| Number of inputs and outputs | Number of digital outputs: 1 |
| Process connection | G 1/2 |

Application

| | |
|-------------------------|--|
| Application | machine tools; Internal cooling of drill |
| Medium temperature [°C] | 0...60 |
| Pressure rating [bar] | 200 |

Electrical data

| | |
|-----------------------------|----------------------------|
| Operating voltage [V] | 10...30 DC; (to SELV/PELV) |
| Current consumption [mA] | < 15 |
| Protection class | III |
| Reverse polarity protection | yes |

Inputs / outputs

| | |
|------------------------------|------------------------------|
| Number of inputs and outputs | Number of digital outputs: 1 |
|------------------------------|------------------------------|

SBU325



Flow sensor with integrated backflow prevention

SBU12DI0BPKG/US

| Outputs | | |
|---|------------------------|--|
| Total number of outputs | | 1 |
| Output signal | | switching signal |
| Electrical design | | PNP |
| Number of digital outputs | | 1 |
| Output function | | normally open |
| Max. voltage drop switching output DC | [V] | 2.5 |
| Permanent current rating of switching output DC | [mA] | 100 |
| Short-circuit protection | | yes |
| Overload protection | | yes |
| Measuring/setting range | | |
| Flow range | [l/min] | 75 |
| Setting range | [l/min] | 0.3...75 |
| Accuracy / deviations | | |
| Repeatability | [% of the final value] | 1 |
| Hysteresis | [l/min] | 0,2...2 |
| Measuring error | [% of the final value] | ± 5 |
| Response times | | |
| Response time | [s] | < 0.01 |
| Operating conditions | | |
| Ambient temperature | [°C] | 0...60 |
| Storage temperature | [°C] | -15...80 |
| Protection | | IP 65; IP 67 |
| Tests / approvals | | |
| EMC | DIN EN 61000-6-2 | |
| | DIN EN 61000-6-3 | |
| Shock resistance | DIN EN 60068-2-27 | 20 g (11 ms) |
| Vibration resistance | DIN EN 60068-2-6 | 5 g (10...2000 Hz) |
| MTTF | [years] | 15.78 |
| Mechanical data | | |
| Weight | [g] | 761.2 |
| Materials | | aluminium anodised; PA |
| Materials (wetted parts) | | stainless steel (1.4310 / 301); stainless steel (1.4301 / 304); aluminium anodised; PBT; PU; O-ring: FKM |
| Process connection | | G 1/2 |
| Switching cycles mechanical | | 10 million |
| Displays / operating elements | | |
| Display | switching status | 4 x LED, yellow |
| Accessories | | |
| Accessories (supplied) | | sealing plugs |

SBU325



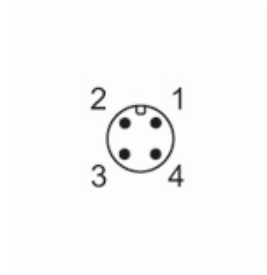
Flow sensor with integrated backflow prevention

SBU12DI0BPKG/US

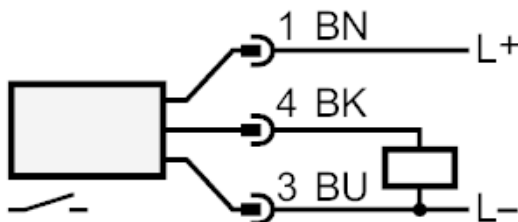
| Remarks | |
|---------------|---|
| Remarks | Temperature changes slightly affect the specified standard settings for coolants. For oils, the settings are influenced by temperature and viscosity. Recommendation Use 200 micron filtration All data refer to coolants (20 °C). |
| Notes | discontinued article |
| Pack quantity | 1 pcs. |

Electrical connection

Connector: 1 x M12



Connection



colours to DIN EN 60947-5-2

Core colours :

- BK = black
- BN = brown
- BU = blue

discontinued article

Discontinuation date: 31.03.2016