

RO6316

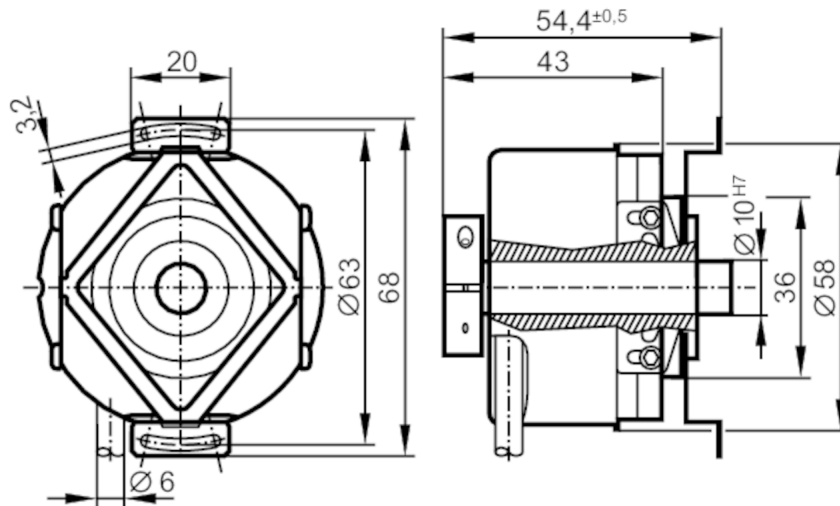


Incremental encoder with hollow shaft

RO-0360-I24/N11

discontinued article

Discontinuation date: 31.03.2016



Product characteristics

Resolution	360 resolution
Shaft design	continuous hollow shaft
Shaft diameter [mm]	10

Application

Function principle	incremental
--------------------	-------------

Electrical data

Operating voltage [V]	10...30 DC
Current consumption [mA]	< 150

Outputs

Electrical design	HTL
Max. current load per output [mA]	50
Switching frequency [kHz]	300
Type of short-circuit protection	< 60 s
Phase difference A and B [°]	90

Measuring/setting range

Resolution	360 resolution
------------	----------------

Operating conditions

Ambient temperature [°C]	-30...85
Note on ambient temperature	for firmly laid cable: -30 °C
Max. relative air humidity [%]	98
Protection	IP 64; (on the housing: IP 66; on the shaft: IP 64)

RO6316



Incremental encoder with hollow shaft

RO-0360-I24/N11

Tests / approvals		
Shock resistance		200 g
Vibration resistance		30 g
MTTF	[years]	190
Mechanical data		
Weight	[g]	451.6
Dimensions	[mm]	Ø 58 / L = 54.4
Materials		aluminium
Max. revolution, mechanical	[U/min]	12000; (when using both shaft clamping rings)
Max. starting torque	[Nm]	2.5
Reference temperature torque	[°C]	20
Shaft design		continuous hollow shaft
Shaft diameter	[mm]	10
Shaft fit		H7
Shaft material		stainless steel
Installation depth of shaft	[mm]	10
Max. axial shaft misalignment	[mm]	1; (max. radial shaft alignment: ± 0,05 mm)
Remarks		
Notes		discontinued article
Electrical connection		
Cable: 1 m, PUR; radial, can also be used axially		
brown	A	
green	A inverted	
grey	B	
pink	B inverted	
red	0 index	
black	0 index inverted	
blue	L+ sensor	
white	0V sensor	
brown/green	L+ (Up)	
white/green	0V (Un)	
screen	housing	
lilac	failure inverted	
Diagrams and graphs		
Pulse diagram		<p>Output A Output B 0 index</p>

RO6316

Incremental encoder with hollow shaft

RO-0360-I24/N11



discontinued article

Discontinuation date: 31.03.2016