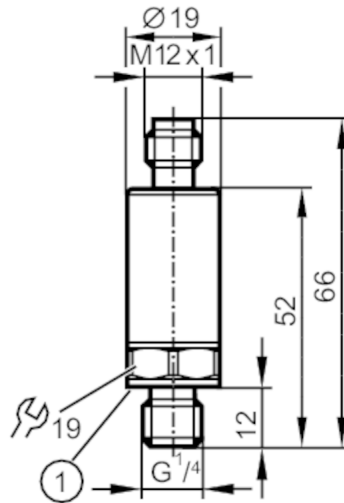


PU5414



Pressure transmitter

PU-016-SEG14-B-DVG/US/ IW



1 Sealing



Product characteristics

| | |
|-----------------------|---|
| Output signal | analogue signal |
| Measuring range [bar] | 0...16 |
| Process connection | threaded connection G 1/4 external thread (DIN EN ISO 1179-2) |

Application

| | |
|------------------------------|-----------------------------|
| Application | for industrial applications |
| Media | liquids and gases |
| Medium temperature [°C] | -40...90 |
| Pressure rating [bar] | 40 |
| Note on pressure rating | static |
| Min. bursting pressure [bar] | 450 |
| Vacuum resistance [mbar] | -1000 |
| Type of pressure | relative pressure |

Electrical data

| | |
|---------------------------------|-----------------|
| Operating voltage [V] | 16...36 DC |
| Current consumption [mA] | < 12 |
| Min. insulation resistance [MΩ] | 100; (500 V DC) |
| Protection class | III |
| Reverse polarity protection | yes |

Inputs / outputs

| | |
|------------------------------|-------------------------------|
| Number of inputs and outputs | Number of analogue outputs: 1 |
|------------------------------|-------------------------------|

PU5414



Pressure transmitter

PU-016-SEG14-B-DVG/US/ IW

| Outputs | | |
|--|--|---------------------|
| Total number of outputs | 1 | |
| Output signal | analogue signal | |
| Number of analogue outputs | 1 | |
| Analogue voltage output [V] | 0...10 | |
| Min. load resistance [Ω] | 2000 | |
| Short-circuit proof | yes | |
| Overload protection | yes | |
| Measuring/setting range | | |
| Measuring range [bar] | 0...16 | |
| Accuracy / deviations | | |
| Repeatability [% of the span] | $< \pm 0,05$; (with temperature fluctuations < 10 K) | |
| Characteristics deviation [% of the span] | $< \pm 0,5$; (incl. drift when overtightened, zero point and span error, non-linearity, hysteresis) | |
| Linearity deviation [% of the span] | $< \pm 0,1$ (BFSL) / $< \pm 0,2$ (LS) | |
| Hysteresis deviation [% of the span] | $< \pm 0,2$ | |
| Long-term stability [% of the span] | $< \pm 0,1$; (per 6 months) | |
| Temperature coefficient zero point and span [% of the span / 10 K] | $< \pm 0,1$ (-25...90 °C) / $< \pm 0,2$ (-40...-25 °C) | |
| Response times | | |
| Step response time analogue output [ms] | 1 | |
| Operating conditions | | |
| Ambient temperature [°C] | -40...90 | |
| Storage temperature [°C] | -40...100 | |
| Protection | IP 67; IP 69K | |
| Tests / approvals | | |
| EMC | DIN EN 61000-6-2 | |
| | DIN EN 61000-6-3 | |
| Shock resistance | DIN EN 60068-2-27 | 50 g (11 ms) |
| Vibration resistance | DIN EN 60068-2-6 | 20 g (10...2000 Hz) |
| MTTF [years] | 762 | |
| UL approval | UL Approval no. | J031 |
| Pressure Equipment Directive | Sound engineering practice; can be used for group 2 fluids; group 1 fluids on request | |

PU5414



Pressure transmitter

PU-016-SEG14-B-DVG/US/ IW

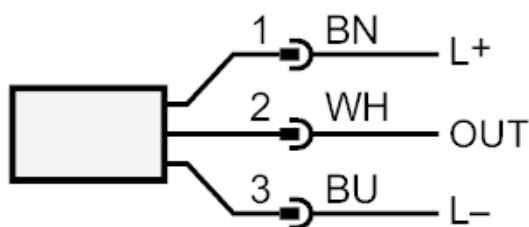
| Mechanical data | |
|-------------------------------|--|
| Weight [g] | 59 |
| Materials | 1.4542 (17-4 PH / 630); stainless steel (1.4404 / 316L); PEI |
| Materials (wetted parts) | 1.4542 (17-4 PH / 630) |
| Min. pressure cycles | 60 million; (at 1.2 times nominal pressure) |
| Tightening torque [Nm] | 25...35; (recommended tightening torque; depends on lubrication, seal and pressure rating) |
| Process connection | threaded connection G 1/4 external thread (DIN EN ISO 1179-2) |
| Process connection sealing | FKM (to DIN 3869) |
| Restrictor element integrated | no (can be retrofitted) |
| Remarks | |
| Remarks | BFSL = Best Fit Straight Line LS = limit value setting |
| Pack quantity | 1 pcs. |

Electrical connection

Connector: 1 x M12



Connection



- OUT analogue output
 colours to DIN 47100
 Core colours :
- BN = brown
- BU = blue
- WH = white