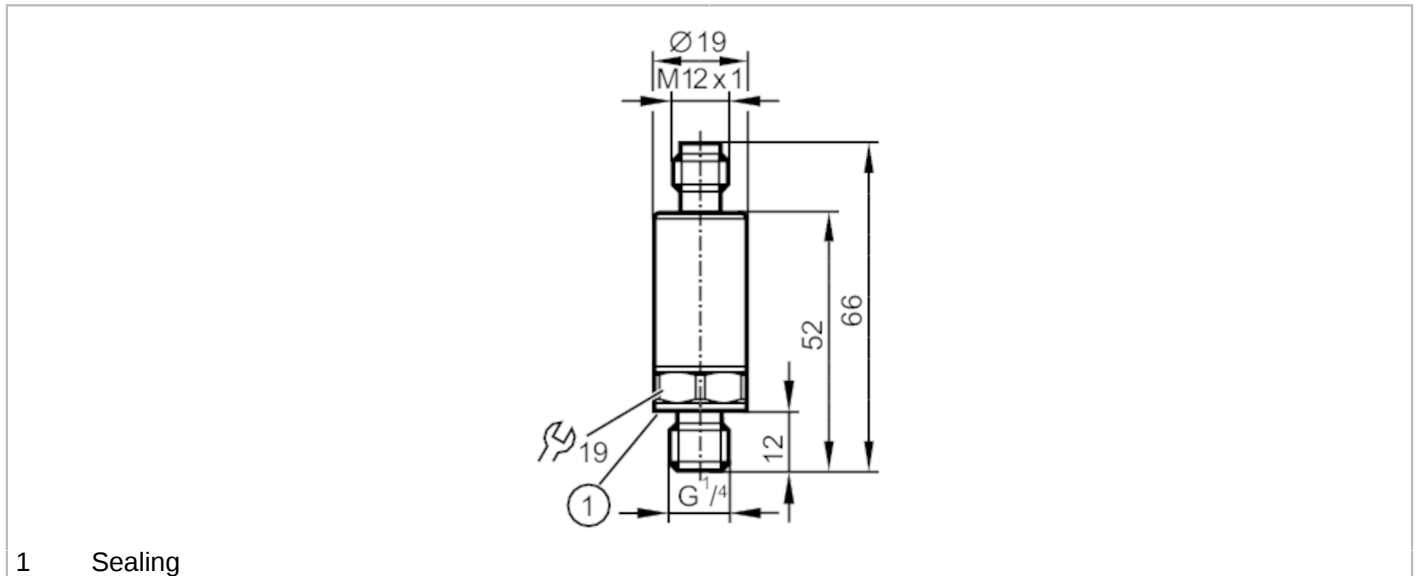


# PT5460



## Pressure transmitter

PT-600-SEG14-A-ZVG/US/ IW



1 Sealing



Product characteristics	
Output signal	analogue signal
Measuring range [bar]	0...600
Process connection	threaded connection G 1/4 external thread (DIN EN ISO 1179-2)
Application	
Application	for industrial applications
Media	liquids and gases
Medium temperature [°C]	-40...90
Pressure rating [bar]	1500
Note on pressure rating	static
Min. bursting pressure [bar]	2500
Vacuum resistance [mbar]	-1000
Type of pressure	relative pressure
Electrical data	
Operating voltage [V]	8.5...36 DC
Min. insulation resistance [MΩ]	100; (500 V DC)
Protection class	III
Reverse polarity protection	yes
Inputs / outputs	
Number of inputs and outputs	Number of analogue outputs: 1

# PT5460



## Pressure transmitter

PT-600-SEG14-A-ZVG/US/ IW

Outputs		
Total number of outputs	1	
Output signal	analogue signal	
Number of analogue outputs	1	
Analogue current output [mA]	4...20	
Max. load [ $\Omega$ ]	720; ( $U_b = 24\text{ V}$ ; ( $U_b - 8,5\text{ V}$ ) / 21,5 mA)	
Short-circuit proof	yes	
Overload protection	yes	
Measuring/setting range		
Measuring range [bar]	0...600	
Accuracy / deviations		
Repeatability [% of the span]	$< \pm 0,05$ ; (with temperature fluctuations $< 10\text{ K}$ )	
Characteristics deviation [% of the span]	$< \pm 0,5$ ; (incl. drift when overtightened, zero point and span error, non-linearity, hysteresis)	
Linearity deviation [% of the span]	$< \pm 0,1$ (BFSL) / $< \pm 0,2$ (LS)	
Hysteresis deviation [% of the span]	$< \pm 0,2$	
Long-term stability [% of the span]	$< \pm 0,1$ ; (per 6 months)	
Temperature coefficient zero point and span [% of the span / 10 K]	$< 0,1$ ( $-25...90\text{ }^\circ\text{C}$ ) / $< 0,2$ ( $-40...-25\text{ }^\circ\text{C}$ )	
Response times		
Step response time analogue output [ms]	1	
Operating conditions		
Ambient temperature [ $^\circ\text{C}$ ]	-40...90	
Storage temperature [ $^\circ\text{C}$ ]	-40...100	
Protection	IP 67; IP 69K	
Tests / approvals		
EMC	DIN EN 61000-6-2	
	DIN EN 61000-6-3	
Shock resistance	DIN EN 60068-2-27	50 g (11 ms)
Vibration resistance	DIN EN 60068-2-6	20 g (10...2000 Hz)
MTTF [years]		784
UL approval	UL Approval no.	J026
Pressure Equipment Directive	Modul A; can be used for group 2 fluids; group 1 fluids on request	

# PT5460



## Pressure transmitter

PT-600-SEG14-A-ZVG/US/ IW

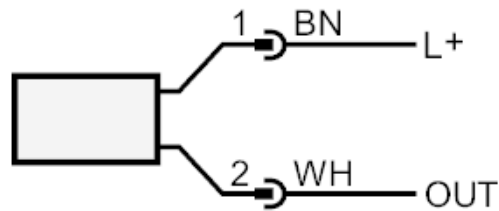
Mechanical data	
Weight [g]	59.5
Materials	1.4542 (17-4 PH / 630); stainless steel (1.4404 / 316L); PEI
Materials (wetted parts)	1.4542 (17-4 PH / 630)
Min. pressure cycles	60 million; (at 1.2 times nominal pressure)
Tightening torque [Nm]	30...50; (recommended tightening torque; depends on lubrication, seal and pressure rating)
Process connection	threaded connection G 1/4 external thread (DIN EN ISO 1179-2)
Process connection sealing	FKM (to DIN 3869)
Restrictor element integrated	no (can be retrofitted)
Remarks	
Remarks	BFSL = Best Fit Straight Line LS = limit value setting
Pack quantity	1 pcs.

## Electrical connection

Connector: 1 x M12



## Connection



OUT analogue output

The following pin connection is available on request: Pin 1: L+, Pin 3: OUT  
colours to DIN EN 60947-5-2

Core colours :

BN brown

WH white