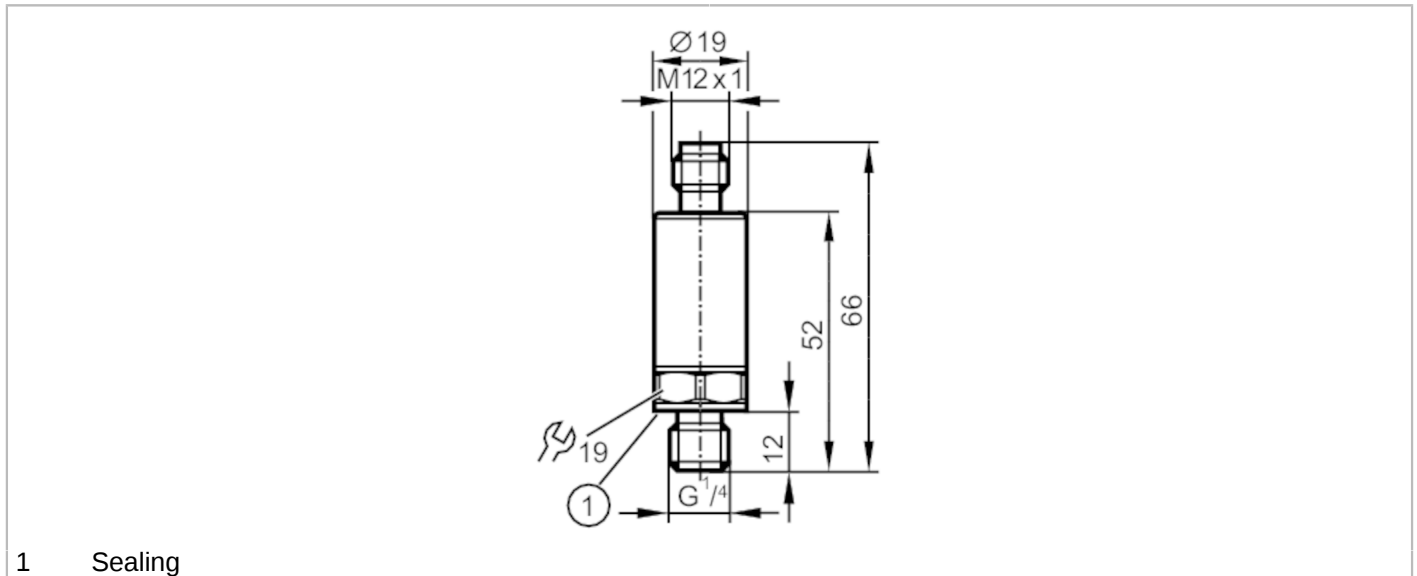


PT5402



Pressure transmitter

PT-100-SEG14-A-ZVG/US/ IW



1 Sealing



Product characteristics

Output signal	analogue signal
Measuring range [bar]	0...100
Process connection	threaded connection G 1/4 external thread (DIN EN ISO 1179-2)

Application

Application	for industrial applications
Media	liquids and gases
Medium temperature [°C]	-40...90
Pressure rating [bar]	250
Note on pressure rating	static
Min. bursting pressure [bar]	1000
Vacuum resistance [mbar]	-1000
Type of pressure	relative pressure

Electrical data

Operating voltage [V]	8.5...36 DC
Min. insulation resistance [MΩ]	100; (500 V DC)
Protection class	III
Reverse polarity protection	yes

Inputs / outputs

Number of inputs and outputs	Number of analogue outputs: 1
------------------------------	-------------------------------

PT5402



Pressure transmitter

PT-100-SEG14-A-ZVG/US/ IW

Outputs		
Total number of outputs		1
Output signal		analogue signal
Number of analogue outputs		1
Analogue current output	[mA]	4...20
Max. load	[Ω]	720; (U _b = 24 V; (U _b - 8,5 V) / 21,5 mA)
Short-circuit proof		yes
Overload protection		yes
Measuring/setting range		
Measuring range	[bar]	0...100
Accuracy / deviations		
Repeatability	[% of the span]	< ± 0,05; (with temperature fluctuations < 10 K)
Characteristics deviation	[% of the span]	< ± 0,5; (incl. drift when overtightened, zero point and span error, non-linearity, hysteresis)
Linearity deviation	[% of the span]	< ± 0,1 (BFSL) / < ± 0,2 (LS)
Hysteresis deviation	[% of the span]	< ± 0,2
Long-term stability	[% of the span]	< ± 0,1; (per 6 months)
Temperature coefficient zero point and span	[% of the span / 10 K]	< 0,1 (-25...90 °C) / < 0,2 (-40...-25 °C)
Response times		
Step response time analogue output	[ms]	1
Operating conditions		
Ambient temperature	[°C]	-40...90
Storage temperature	[°C]	-40...100
Protection		IP 67; IP 69K
Tests / approvals		
EMC		DIN EN 61000-6-2
		DIN EN 61000-6-3
Shock resistance		DIN EN 60068-2-27
Vibration resistance		DIN EN 60068-2-6
MTTF	[years]	686
Pressure Equipment Directive		Sound engineering practice; can be used for group 2 fluids; group 1 fluids on request

PT5402



Pressure transmitter

PT-100-SEG14-A-ZVG/US/ IW

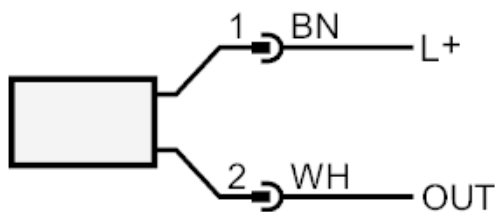
Mechanical data	
Weight [g]	59
Materials	1.4542 (17-4 PH / 630); stainless steel (1.4404 / 316L); PEI
Materials (wetted parts)	1.4542 (17-4 PH / 630)
Min. pressure cycles	60 million; (at 1.2 times nominal pressure)
Tightening torque [Nm]	25...35; (recommended tightening torque; depends on lubrication, seal and pressure rating)
Process connection	threaded connection G 1/4 external thread (DIN EN ISO 1179-2)
Process connection sealing	FKM (to DIN 3869)
Restrictor element integrated	no (can be retrofitted)
Remarks	
Remarks	BFSL = Best Fit Straight Line LS = limit value setting
Pack quantity	1 pcs.

Electrical connection

Connector: 1 x M12



Connection



OUT analogue output

The following pin connection is available on request: Pin 1: L+, Pin 3: OUT colours to DIN EN 60947-5-2

Core colours :

BN brown

WH white