

PP7023

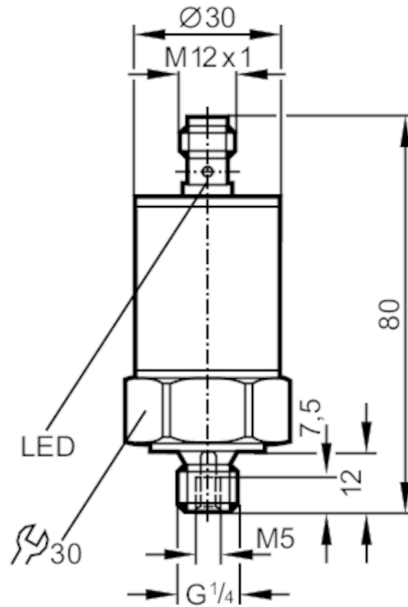


Pressure switch with ceramic measuring cell

PP-025-SBG14-QFRKG/US/ IV

Article no longer available - archive entry

Alternative article: PP7553 or PP0523 When selecting an alternative article and accessories please note that technical data may differ!; PP755x = DC pnp, PP052x = DC npn – When selecting an alternative article and accessories please note that technical data may differ!



Product characteristics

Output signal	switching signal		
Measuring range	0...25 bar	0...363 psi	0...2.5 MPa
Process connection	threaded connection G 1/4 external thread internal thread M5		

Application

Special feature	Gold-plated contacts		
Application	for industrial applications		
Media	liquids and gases		
Medium temperature [°C]	-25...80		
Pressure rating	100 bar	1450 psi	10 MPa
Min. bursting pressure	350 bar	5075 psi	35 MPa
Type of pressure	relative pressure		

Electrical data

Operating voltage [V]	9.6...30 DC; (PP2000 with sensor: > 18)		
Current consumption [mA]	< 45		
Min. insulation resistance [MΩ]	100; (500 V DC)		
Protection class	III		
Reverse polarity protection	yes		
Power-on delay time [s]	0.3		



Pressure switch with ceramic measuring cell

PP-025-SBG14-QFRKG/US/ IV

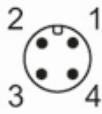
Inputs / outputs			
Number of inputs and outputs	Number of digital outputs: 2		
Outputs			
Total number of outputs	2		
Output signal	switching signal		
Electrical design	PNP/NPN		
Number of digital outputs	2		
Output function	normally open / normally closed; (parameterisable)		
Max. voltage drop switching output DC [V]	2		
Permanent current rating of switching output DC [mA]	250		
Switching frequency DC [Hz]	< 170		
Short-circuit protection	yes		
Type of short-circuit protection	pulsed		
Overload protection	yes		
Measuring/setting range			
Measuring range	0...25 bar	0...363 psi	0...2.5 MPa
Set point SP	0.3...25 bar	4...363 psi	0.03...2.5 MPa
Reset point rP	0.2...24.9 bar	2...362 psi	0.02...2.49 MPa
In steps of	0.1 bar	1 psi	0.01 MPa
Accuracy / deviations			
Switch point accuracy [% of the span]	< ± 1,5		
Repeatability [% of the span]	< ± 0,1; (with temperature fluctuations < 10 K)		
Characteristics deviation [% of the span]	< ± 0,25 (BFSL) / < ± 0,5 (LS); (BFSL = Best Fit Straight Line; LS = limit value setting)		
Linearity deviation [% of the span]	< ± 0,5		
Hysteresis deviation [% of the span]	< ± 0,1		
Long-term stability [% of the span]	< ± 0,1; (per year)		
Temperature coefficient zero point [% of the span / 10 K]	< ± 0,2; (-25...80 °C)		
Temperature coefficient span [% of the span / 10 K]	< ± 0,3; (-25...80 °C)		
Response times			
Response time [ms]	< 3		
Damping for the switching output dAP [s]	0...4		
Software / programming			
Adjustment of the switch point	programming unit / teach function		

PP7023



Pressure switch with ceramic measuring cell

PP-025-SBG14-QFRKG/US/ IV

Interfaces		
Communication interface		EPS
Operating conditions		
Ambient temperature	[°C]	-25...80
Storage temperature	[°C]	-40...100
Protection		IP 67
Tests / approvals		
EMC	EN 61000-4-2 ESD	4 kV CD / 8 kV AD
	EN 61000-4-3 HF radiated	10 V/m
	EN 61000-4-4 Burst	2 kV
	EN 61000-4-6 HF conducted	10 V
Shock resistance	DIN IEC 68-2-27	50 g (11 ms)
Vibration resistance	DIN IEC 68-2-6	20 g (10...2000 Hz)
Mechanical data		
Materials	stainless steel (1.4301 / 304); PA	
Materials (wetted parts)	stainless steel (1.4305 / 303); ceramics; FKM	
Min. pressure cycles	100 million	
Process connection	threaded connection G 1/4 external thread internal thread M5	
Restrictor element integrated	no (can be retrofitted)	
Displays / operating elements		
Display	operation	LED, green
	switching status	2 x LED, yellow
Teach function	yes	
Remarks		
Pack quantity	1 pcs.	
Electrical connection		
Connector: 1 x M12; Contacts: gold-plated		
		

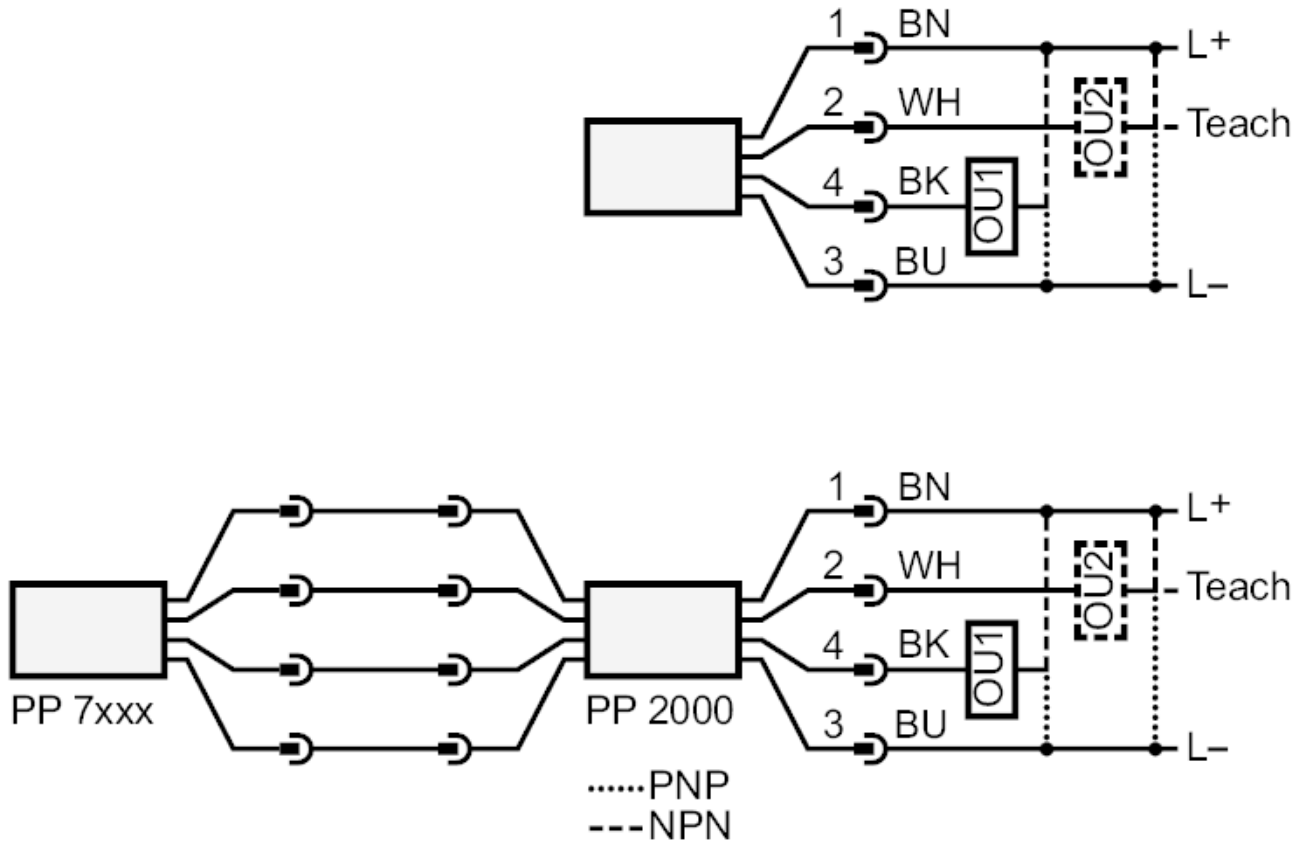
PP7023



Pressure switch with ceramic measuring cell

PP-025-SBG14-QFRKG/US/ IV

Connection



Article no longer available - archive entry

Alternative article: PP7553 or PP0523 When selecting an alternative article and accessories please note that technical data may differ!; PP755x = DC pnp, PP052x = DC npn – When selecting an alternative article and accessories please note that technical data may differ!