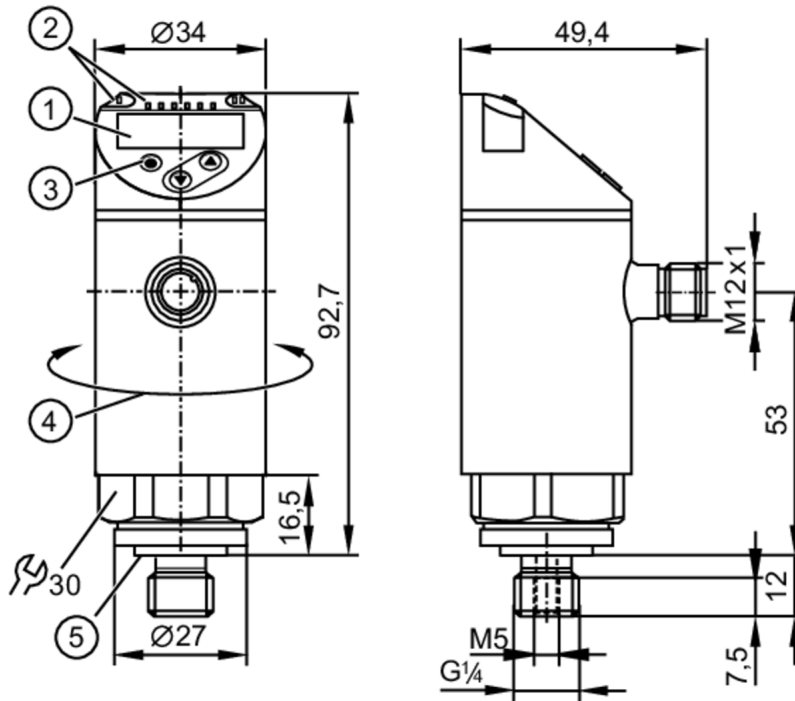


PN3571



Pressure sensor with display

PN-250-SEG14-MFRKG/US/ IV



- 1 alphanumeric display 4-digit red/green
- 2 LEDs Display unit / switching status
- 3 programming button
- 4 upper part of the housing can be rotated 345°
- 5 Sealing



Product characteristics

Number of inputs and outputs	Number of digital outputs: 1; Number of analogue outputs: 1		
Measuring range	0...250 bar	0...3620 psi	0...25 MPa
Process connection	threaded connection G 1/4 external thread (DIN EN ISO 1179-2); internal thread:M5		

Application

Special feature	Gold-plated contacts		
Measuring element	metallic thin film cell		
Application	for industrial applications		
Media	liquids and gases		
Medium temperature [°C]	-25...80		
Min. burst pressure	1200 bar	17400 psi	120 MPa
Pressure rating	500 bar	7250 psi	50 MPa
Vacuum resistance	-1000 mbar	-0.1 MPa	
Type of pressure	relative pressure		

Electrical data

Operating voltage [V]	18...30 DC; (to SELV/PELV)		
Current consumption [mA]	< 35		
Min. insulation resistance [MΩ]	100; (500 V DC)		
Protection class	III		
Reverse polarity protection	yes		

PN3571



Pressure sensor with display

PN-250-SEG14-MFRKG/US/ /V

Power-on delay time [s]	0.3
Integrated watchdog	yes

Inputs / outputs

Number of inputs and outputs	Number of digital outputs: 1; Number of analogue outputs: 1
------------------------------	---

Outputs

Total number of outputs	2
Output signal	switching signal; analogue signal; IO-Link; (configurable)
Electrical design	PNP
Number of digital outputs	1
Output function	normally open / normally closed; (parameterisable)
Max. voltage drop switching output DC [V]	2.5
Permanent current rating of switching output DC [mA]	150; (200 (...60 °C) 250 (...40 °C))
Switching frequency DC [Hz]	< 170
Number of analogue outputs	1
Analogue current output [mA]	4...20
Max. load [Ω]	500
Analogue voltage output [V]	0...10
Min. load resistance [Ω]	2000
Short-circuit protection	yes
Type of short-circuit protection	pulsed
Overload protection	yes

Measuring/setting range

Measuring range	0...250 bar	0...3620 psi	0...25 MPa
Factory setting / CMPT = 2			
Set point SP	2...250 bar	40...3620 psi	0.2...25 MPa
Reset point rP	1...249 bar	20...3600 psi	0.1...24.9 MPa
Min. difference between SP and rP	2 bar	20 psi	0.2 MPa
In steps of	1 bar	20 psi	0.1 MPa
Status_B High Resolution / CMPT = 3			
Set point SP	2...250 bar	30...3626 psi	0.2...25 MPa
Reset point rP	1...249 bar	12...3608 psi	0.1...24.9 MPa
Min. difference between SP and rP	2 bar	19 psi	0.2 MPa
In steps of	1 bar	1 psi	0.1 MPa

Accuracy / deviations

Switch point accuracy [% of the span]	< ± 0,5
Repeatability [% of the span]	< ± 0,1; (with temperature fluctuations < 10 K)
Characteristics deviation [% of the span]	< ± 0,25 (BFSL) / < ± 0,5 (LS); (BFSL = Best Fit Straight Line; LS = limit value setting)
Hysteresis deviation [% of the span]	< ± 0,25

PN3571



Pressure sensor with display

PN-250-SEG14-MFRKG/US/ IV

Long-term stability [% of the span]	< ± 0,05; (per 6 months)
Temperature coefficient zero point [% of the span / 10 K]	0,2; (-25...80 °C)
Temperature coefficient span [% of the span / 10 K]	0,2; (-25...80 °C)

Response times

Response time [ms]	< 3
Delay time programmable dS, dr [s]	0...50
Damping process value dAP [s]	0...4
Damping for the analogue output dAA [s]	0...4
Max. response time analogue output [ms]	3

Software / programming

Parameter setting options	hysteresis / window; normally open / normally closed; switch-on/ switch-off delay; Damping; Display unit; current/voltage output
---------------------------	--

Interfaces

Communication interface	IO-Link						
Transmission type	COM2 (38,4 kBaud)						
IO-Link revision	1.1						
SDCI standard	IEC 61131-9						
SIO mode	yes						
Required master port type	A						
Process data analogue	1						
Process data binary	1						
Supported DeviceIDs	<table border="1"> <thead> <tr> <th>Type of operation</th> <th>DeviceID</th> </tr> </thead> <tbody> <tr> <td>Factory setting / CMPT = 2</td> <td>428</td> </tr> <tr> <td>Status_B High Resolution / CMPT = 3</td> <td>607</td> </tr> </tbody> </table>	Type of operation	DeviceID	Factory setting / CMPT = 2	428	Status_B High Resolution / CMPT = 3	607
Type of operation	DeviceID						
Factory setting / CMPT = 2	428						
Status_B High Resolution / CMPT = 3	607						
Note	For further information please see the IODD PDF file under "Downloads"						

Factory setting / CMPT = 2

Profiles	Smart Sensor - SSP 0	Generic Profiled Sensor
	Function	Device identification
	Function	Process data variable
	Function	Device diagnosis
Min. process cycle time [ms]	2.3	
IO-Link resolution pressure	1 bar	0.1 MPa
IO-Link process data (cyclical)	function pressure	bit length 14
	binary switching information	1
IO-Link functions (acyclical)	application specific tag	

Status_B High Resolution / CMPT = 3

Profiles	Smart Sensor - SSP 3.1	Measuring Sensor
	Common - I&D	Identification and Diagnosis
Min. process cycle time [ms]	3	

PN3571



Pressure sensor with display

PN-250-SEG14-MFRKG/US/ /V

IO-Link resolution pressure	0.1 bar	0.01 MPa
IO-Link process data (cyclical)	function	bit length
	pressure	16
	device status	4
	binary switching information	1
IO-Link functions (acyclical)	application specific tag	

Operating conditions		
Ambient temperature	[°C]	-25...80
Storage temperature	[°C]	-40...100
Protection		IP 65; IP 67

Tests / approvals		
EMC	DIN EN 61000-6-2	
	DIN EN 61000-6-3	
Shock resistance	DIN EN 60068-2-27	50 g (11 ms)
Vibration resistance	DIN EN 60068-2-6	20 g (10...2000 Hz)
MTTF	[years]	190
UL approval	UL approval no.	J006
Pressure Equipment Directive	Sound engineering practice; can be used for group 2 fluids; group 1 fluids on request	

Mechanical data		
Weight	[g]	259
Materials	stainless steel (630/1.4542/17-4 PH); stainless steel (316L/1.4404); PBT+PC-GF30; PBT-GF20; PC	
Materials (wetted parts)	stainless steel (630/1.4542/17-4 PH)	
Min. pressure cycles	100 million	
Tightening torque	[Nm]	25...35; (recommended tightening torque; depends on the lubrication, the seal and the pressure load)
Process connection	threaded connection G 1/4 external thread (DIN EN ISO 1179-2); internal thread:M5	
Process connection sealing	FKM (DIN EN ISO 1179-2)	
Restrictor element integrated	no (can be retrofitted)	

Displays / operating elements		
Display	Display unit	3 x LED, green (bar, psi, MPa)
	switching status	1 x LED, yellow
	measured values	alphanumeric display, red/green 4-digit

Remarks	
Pack quantity	1 pcs.

Electrical connection

Connector: 1 x M12; coding: A; Contacts: gold-plated



PN3571



Pressure sensor with display

PN-250-SEG14-MFRKG/US/ IV

Connection



OUT1	switching output
	IO-Link
OUT2	analogue output
	Core colours :
BK =	black
BN =	brown
BU =	blue
WH =	white