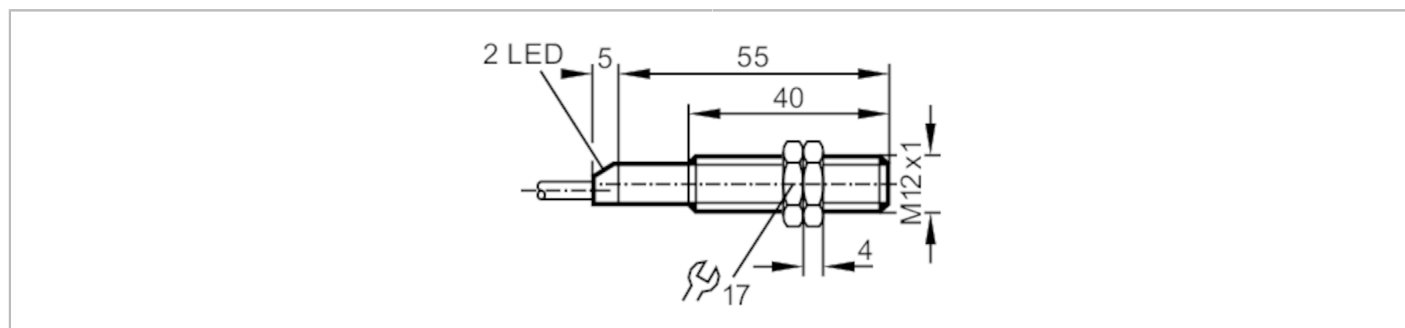


OF5018



Through-beam sensor transmitter

OFS-00KG



Product characteristics	
Type of light	infrared light
Housing	threaded type
Dimensions [mm]	M12 x 1 / L = 60
Application	
Function principle	Through-beam sensor
Electrical data	
Operating voltage [V]	10...36 DC
Current consumption [mA]	< 20
Protection class	II
Reverse polarity protection	yes
Type of light	infrared light
Wave length [nm]	880
Outputs	
Short-circuit protection	yes
Type of short-circuit protection	pulsed
Overload protection	yes
Detection zone	
Transmitter / receiver	transmitter
Range [m]	< 4
Max. light spot diameter [mm]	700
Light spot dimensions refer to	at maximum range
Operating conditions	
Ambient temperature [°C]	-25...60
Protection	IP 67
Tests / approvals	
EMC	EN 60947-5-2
MTTF [years]	1597

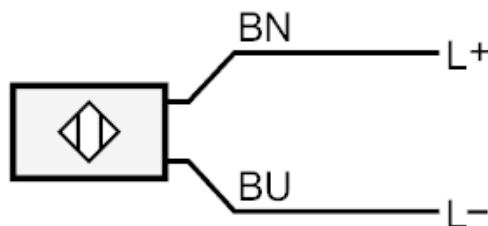
OF5018



Through-beam sensor transmitter

OFS-00KG

Mechanical data		
Weight	[g]	72.3
Housing		threaded type
Dimensions	[mm]	M12 x 1 / L = 60
Thread designation		M12 x 1
Materials		brass nickel-plated
Lens material		PMMA
Displays / operating elements		
Display	operation	1 x LED, green
Accessories		
Accessories (supplied)		lock nuts: 2 x
Remarks		
Pack quantity		1 pcs.
Electrical connection		
Cable: 2 m, PUR; 2 x 0.34 mm ²		
Connection		



Core colours :

BN = brown
BU = blue